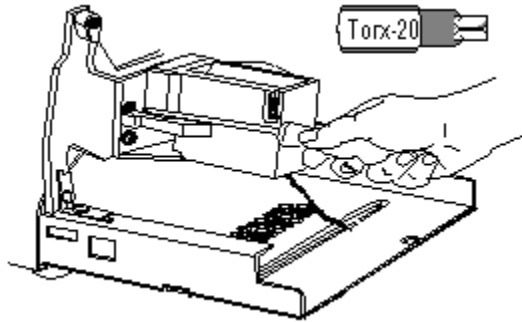


Removing the Spittoon

1-Remove the screw that attaches the spittoon to the right side-plate.



2- Slide the spittoon to the right, and remove it from the plotter.

