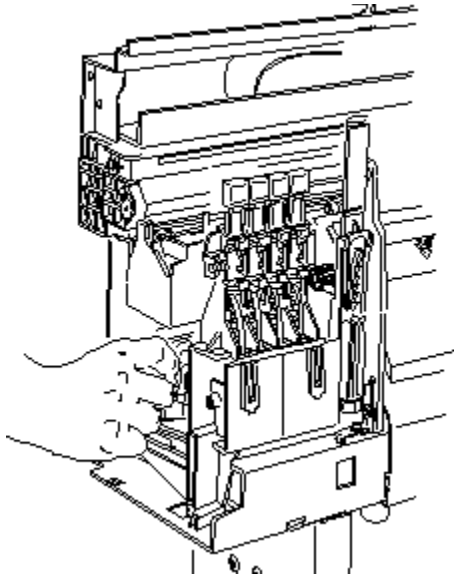
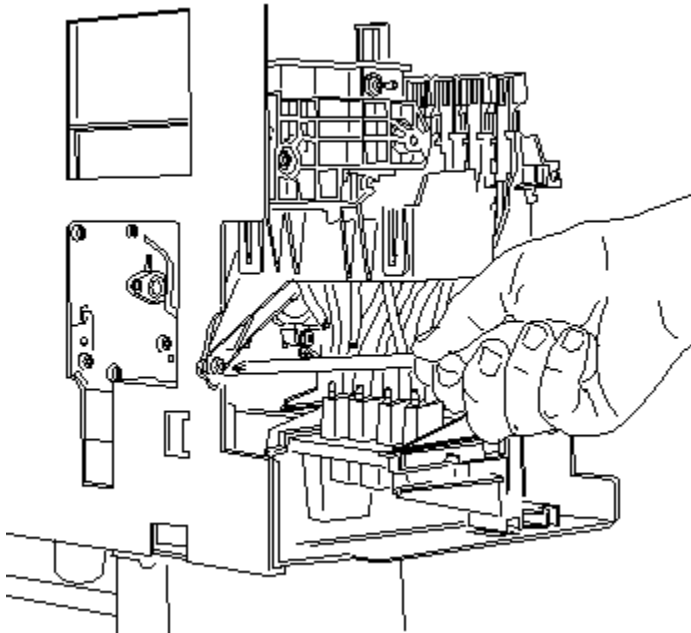


Removing the Service Station

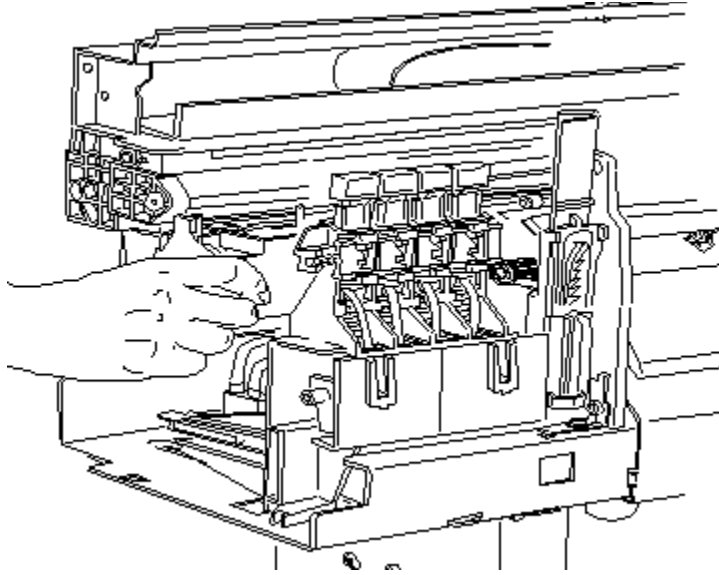
1- Disconnect the four **SHORT** tubes from the primer ink separator.



2- Remove the screw that attaches the service station to the left side plate.



3- Slide the service station to the left, and remove it from the plotter.



Note:

The service station is one orderable assembly. Do not open it.

