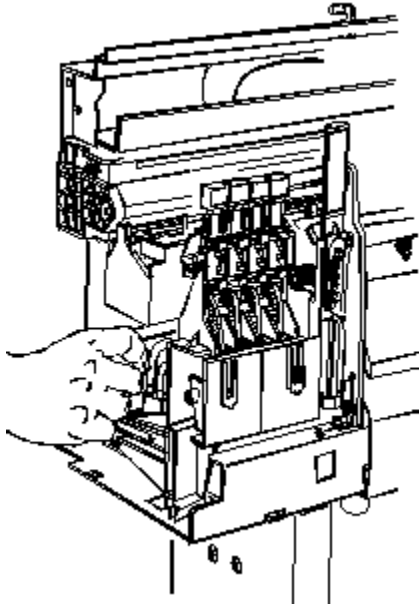
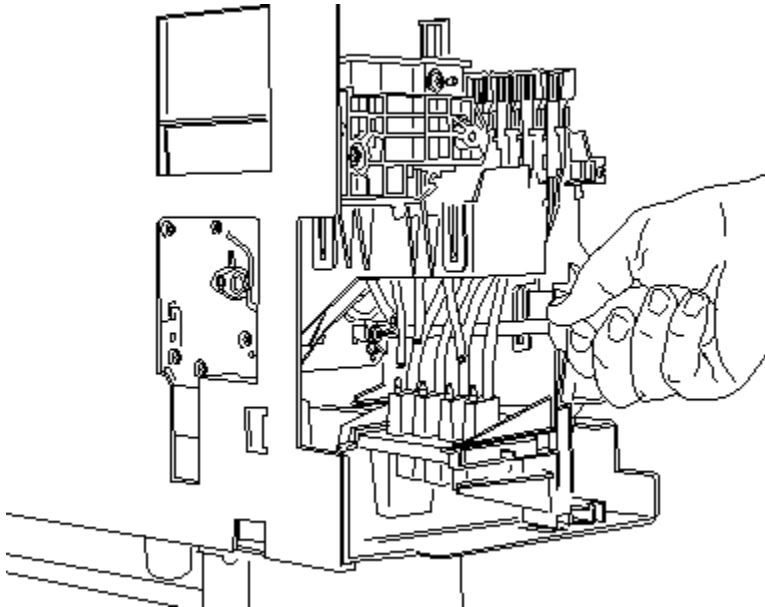


Removing the Primer.

1- Disconnect the four **SHORT** tubes from the ink separator.



2- Remove the screw that attaches the primer to the left side-plate.



3- Slide the primer to the left, and remove it from the plotter.

