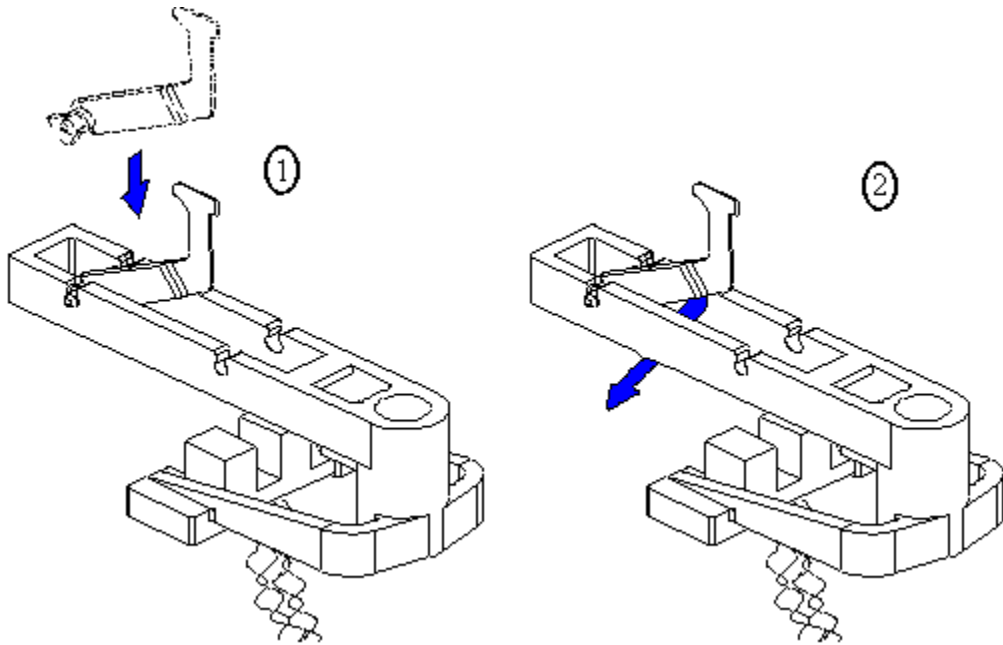


Replacing the Media-Sensor Assembly.

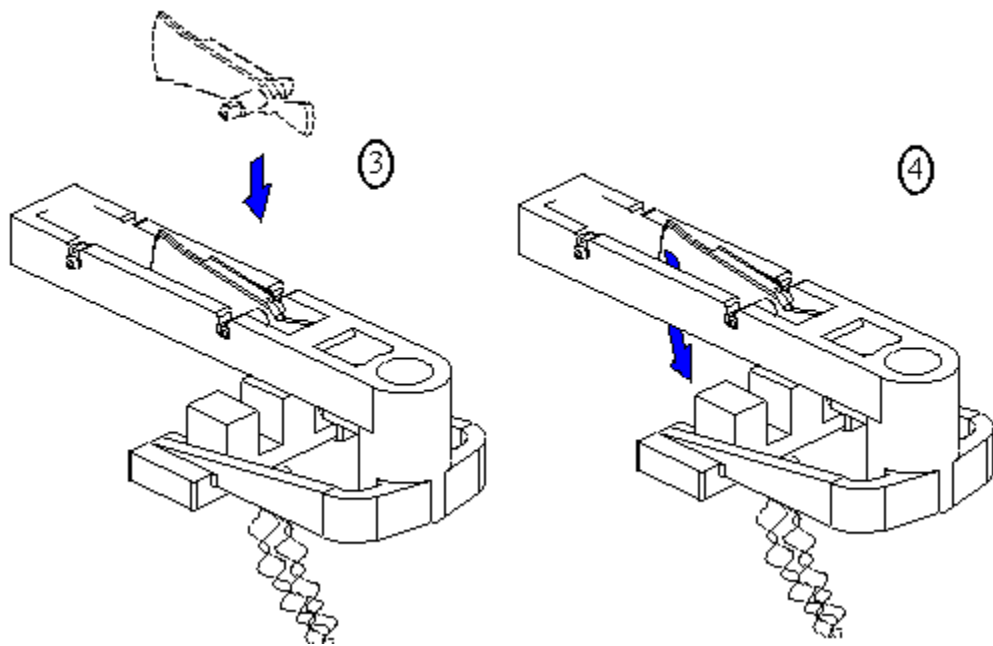
1- Insert the t-shaped flag in the indicated position.

2- Let the t-shaped flag rotate to its correct position.

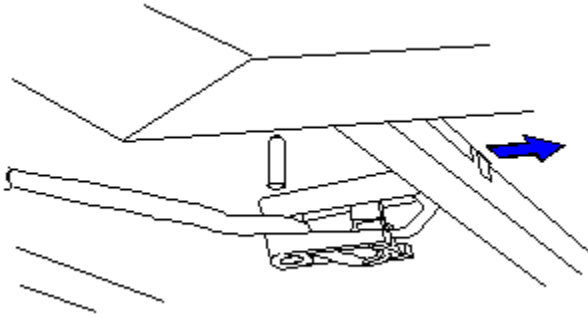


3- Insert the bell-shaped flag in the indicated position.

4- Let the bell-shaped flag rotate to its correct position.

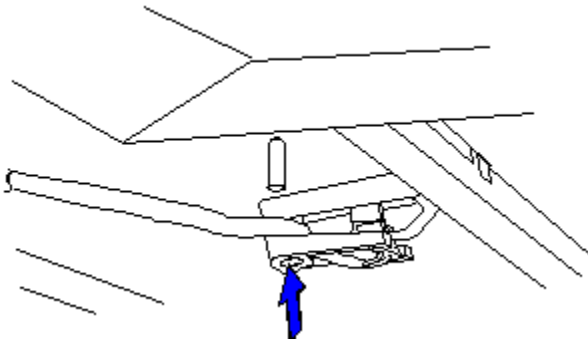


5- Insert the long arm of the media-sensor assembly into the slot at the back of the entry platen as shown.



6- Ensure that the two flags have not been mispositioned.

7- Press the media-sensor assembly up onto the post on the underside of the entry platen, until it clicks into place.



8- Refasten the media-sensor cable in its clip, making sure that it does not obstruct motion of the media-sensor flags.

