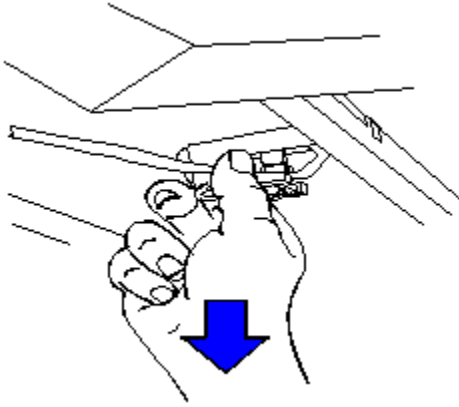
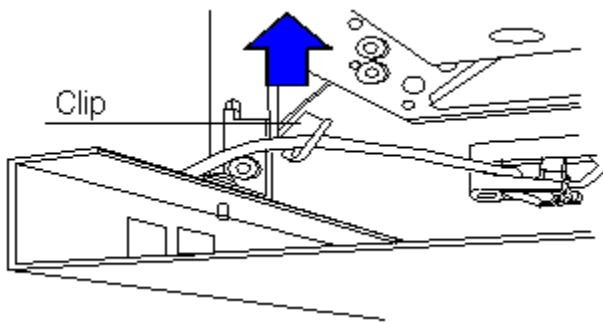


Removing the Media-Sensor Assembly.

1- Pull the media-sensor assembly down from the underside of the entry platen,



2- Release the media-sensor cable from the indicated clip.



3- Remove the media-sensor assembly from the plotter.

