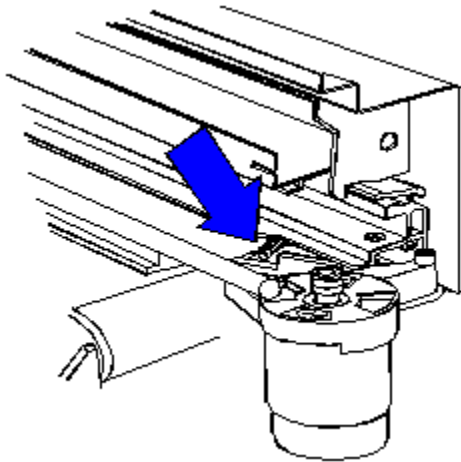


Reinstalling the Carriage Motor.

To reassemble this part, there are two springs on the motor assembly:

a) One fits onto the protruding plastic on top of the motor. Position this part **inside** the plastic beam.



b) The other is a flat metal spring attached underneath the motor. Position it **underneath** the chassis beam.

