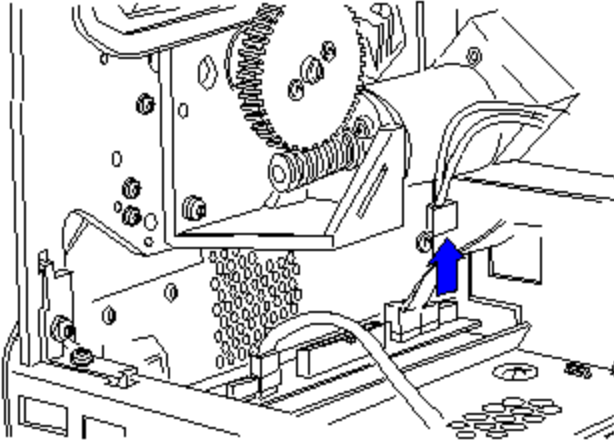


Removing Carriage Motor.

1- Disconnect the carriage-motor cable from the main PCA (connector MOT Y), and from the clip at the back of the plotter.



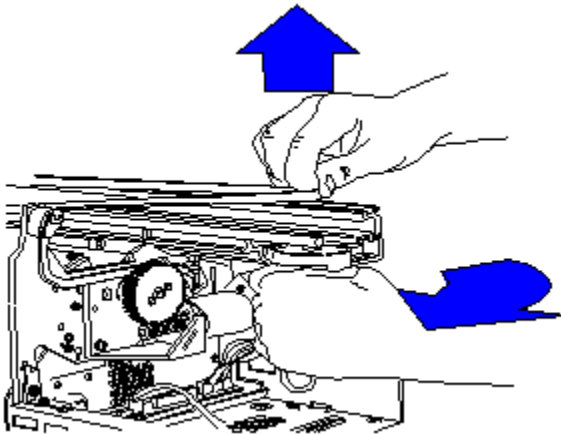
CAUTION

In the following step, take care not to break the black plastic tab on top of the motor.

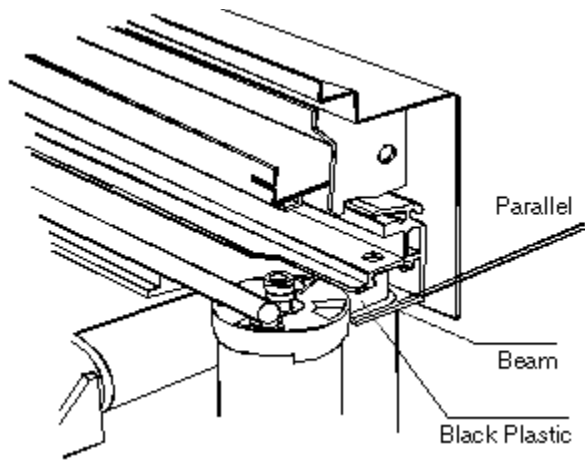
2- Press the carriage motor towards the left, and remove the belt from the motor shaft.

Note:

If you need greater maneuverability of the motor, press the black plastic tab on top VERY SLIGHTLY downwards.



3- Slightly rotate the motor on its hinge until the indicated part of the black plastic is parallel with the side of the chassis beam.



4- Pull the motor out to the right of the plotter.

Note:

The motor may be stiff.

