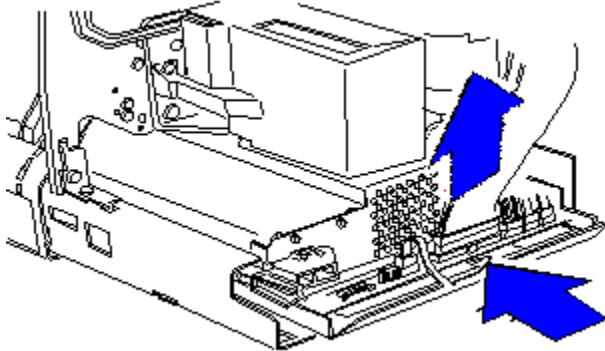
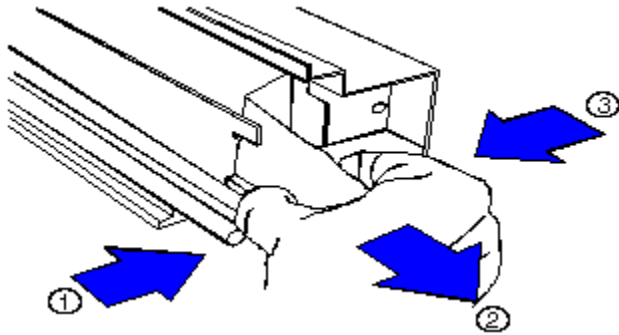


Removing the Encoder Strip.

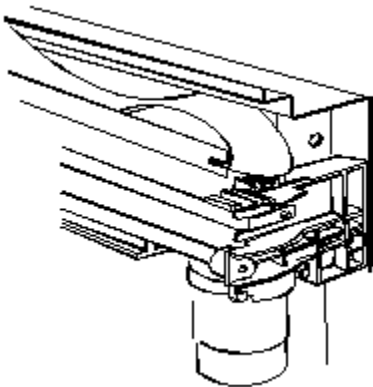
1- Disconnect the trailing cable from the main PCA.



2- Disconnect the trailing cable from the guides on the right bracket.



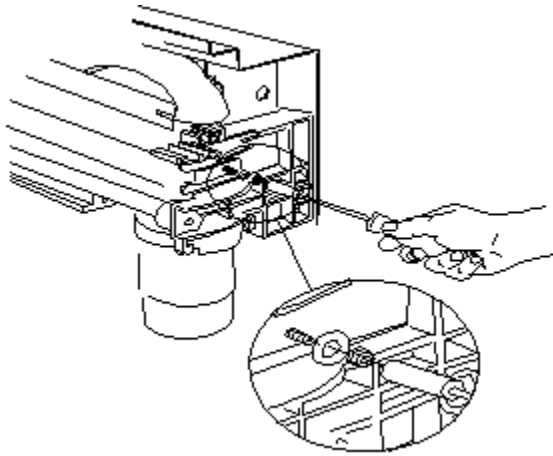
3- Fold the trailing cable upwards and store it on the trailing-cable guide.



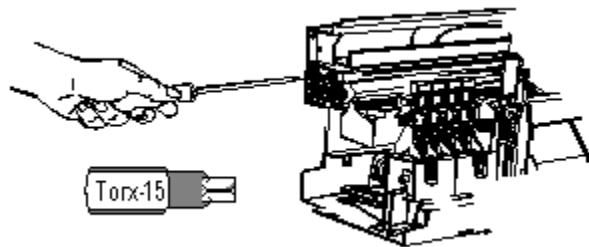
WARNING:

In the following steps, take care neither to cut yourself on the encoder strip, nor to damage the strip.

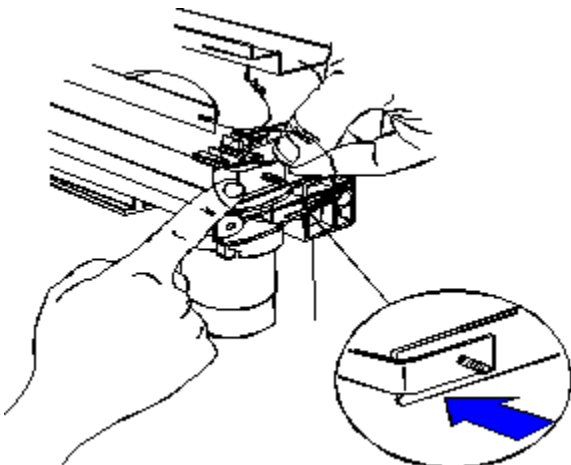
4-On the right-hand side, remove the nut and washer that secure the encoder strip to the encoder-strip spring.



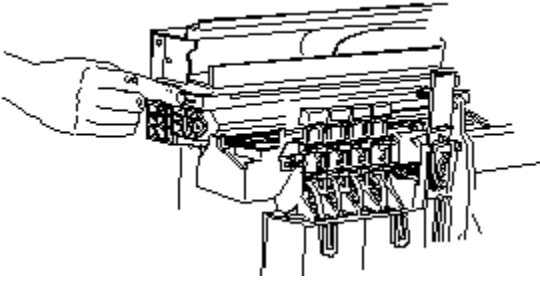
5- Remove the screw and washer that secure the encoder strip to the left bracket.



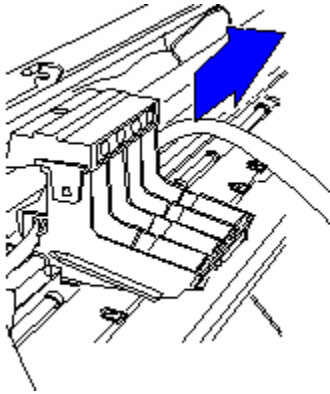
6- Compressing the encoder-strip spring to release the tension on the encoder strip, carefully release the encoder strip from the pin on the spring.



7- Carefully release the encoder strip from the left bracket.



8-Carefully pull the encoder strip to the right, through and out of the carriage assembly.



9- Lay the encoder strip on a flat surface.

