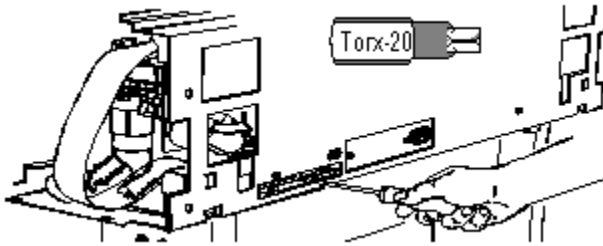
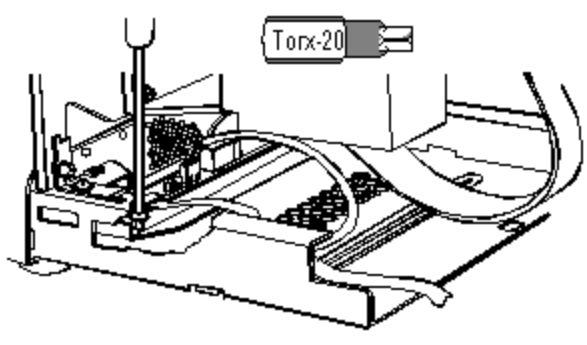


Removing and Reassembling the Electronics Module.

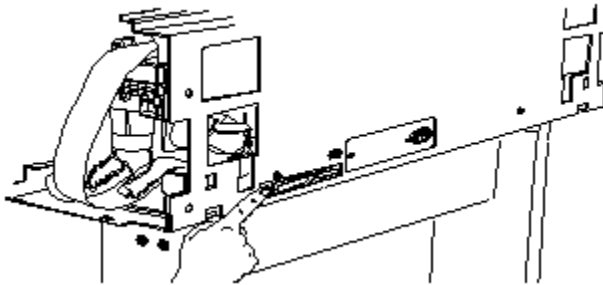
1- Remove the indicated two screws from the back cover.



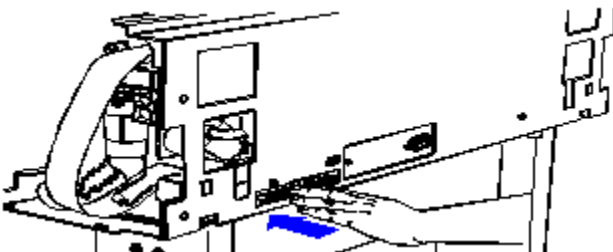
2- Remove the indicated screws from the floor of the electronics module.



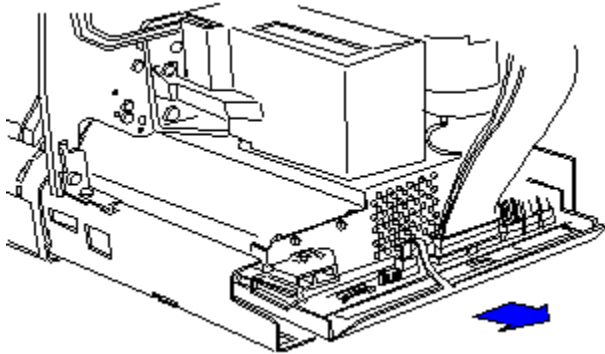
3- At the back of the plotter, ensure that the two small wire clamps of the parallel port are positioned flush against the electronics module.



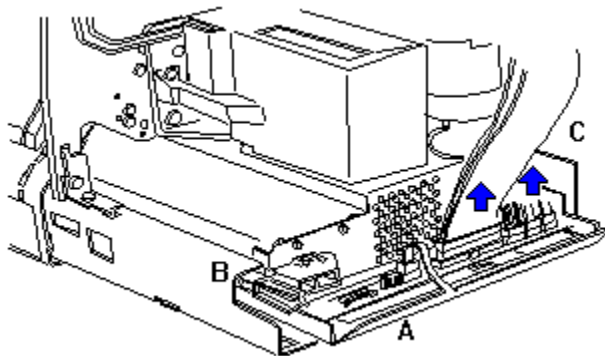
4- Push the electronics module towards the front of the plotter.



5- Pull the electronics module to the right, in order to easily access the connectors



6- Disconnect all cables from the visible part of the main PCA.



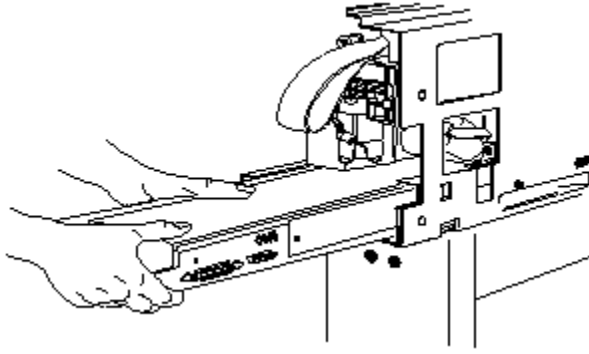
Reassembling:

The connectors and cables correspond as follows:

Connector	Cable	Clip
FP	Front Panel	A
COVER	Top-Cover Sensor	A
MEDIA	Media Sensor	B
P1	Trailing Cable	
ENC X	Media Motor Encoder	
MOT X	Media Motor	C
MOT Y	Carriage Motor	C

Prevent tugging on the cables at the point of connection by leaving slack between the connectors and the clips.

7- Pull the electronics module further to the right and out of the plotter.



Reassembling:

Slide the module into the plotter until it is stopped by its location hook on the floor of the plotter. Be careful not to damage the parallel-port clamps.

