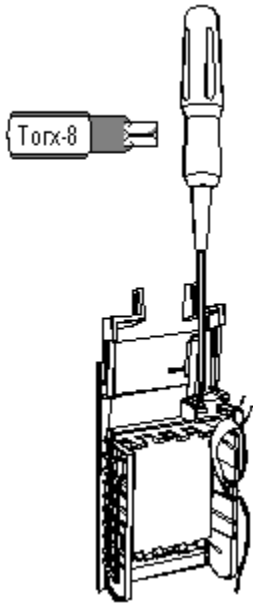
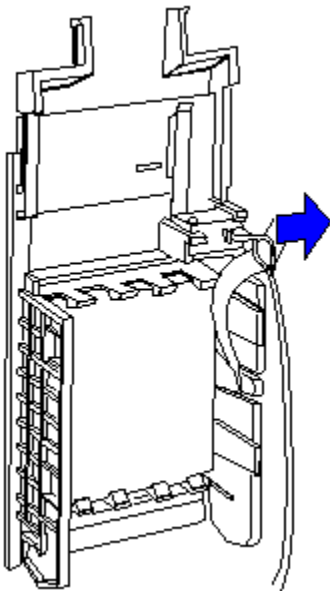


Removing the Top-Cover Sensor.

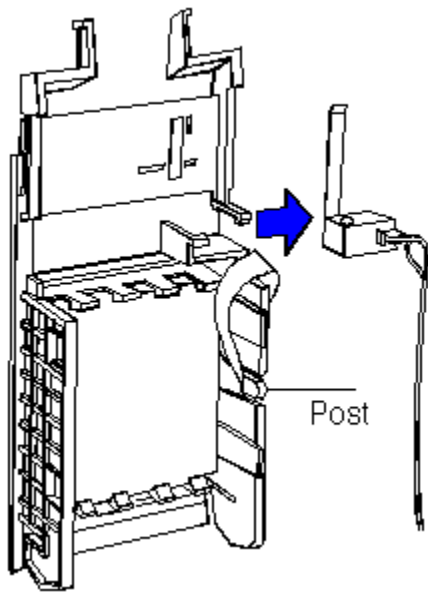
1- Remove the screw from the sensor.



2- Move the sensor to the right (looking from the back of the front panel).



3- Raise the plastic clip and remove the sensor.



4- Detach the sensor cable from the COVER connector on the main PCA, and unclip it from the side of the electronics module.

Reassembling:

Weave the sensor cable around the indicated post, and clip it to the side of the electronics module.

