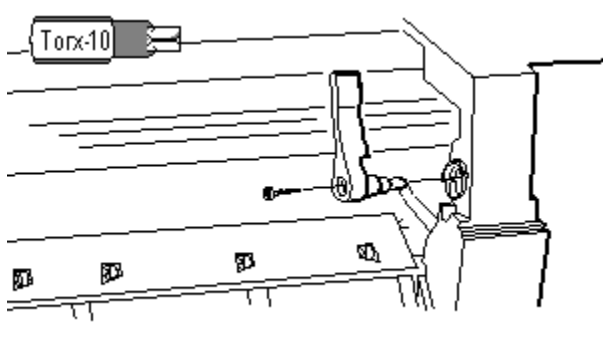
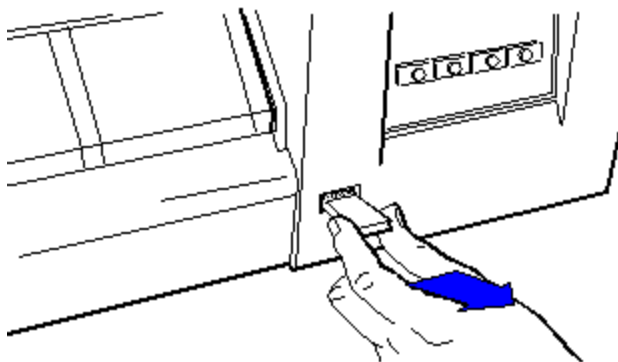


Removing the right end cover and the front panel.

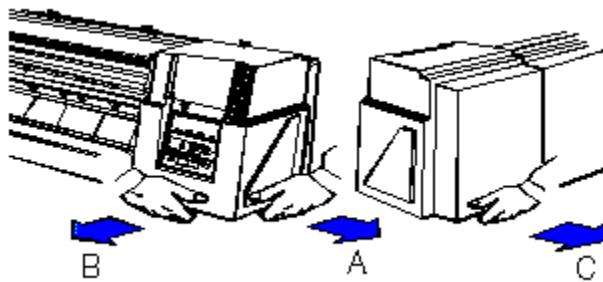
1- Remove the pinch-wheel lever and screw.



2- Pull the plotter on/off switch out of the end-cover.



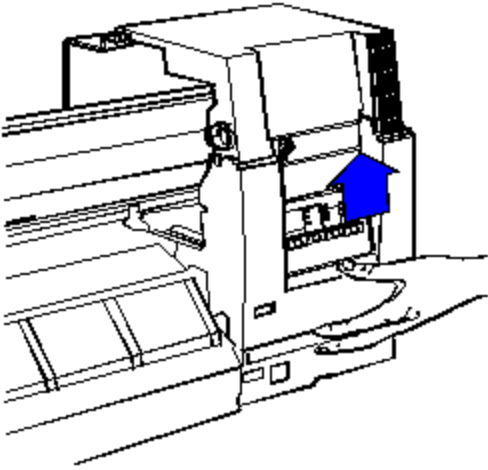
3- Release the three clips at the bottom of the end-cover: first the side clip, then the front and back clips.
These may be stiff.



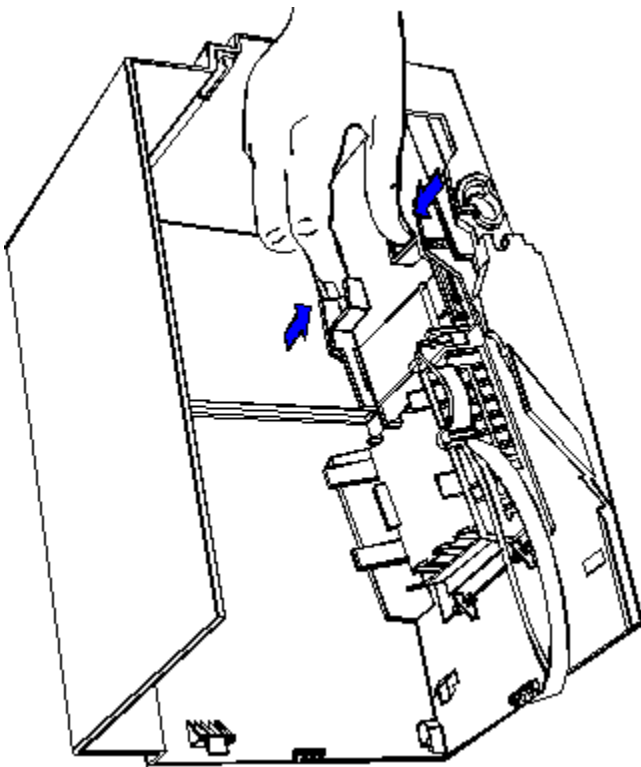
CAUTION

In the following step, be careful not to damage the two electronic cables attached inside the end-cover

4- Pull the end-cover up.



5- Inside the end-cover, press the two indicated tabs towards each other, and remove the front-panel assembly from the end-cover.



6- To be able to easily use the front panel, when the right end-cover has been removed, slide the front-panel assembly onto the metal base of the plotter as shown.

