

CADStorm Help

Finding Help

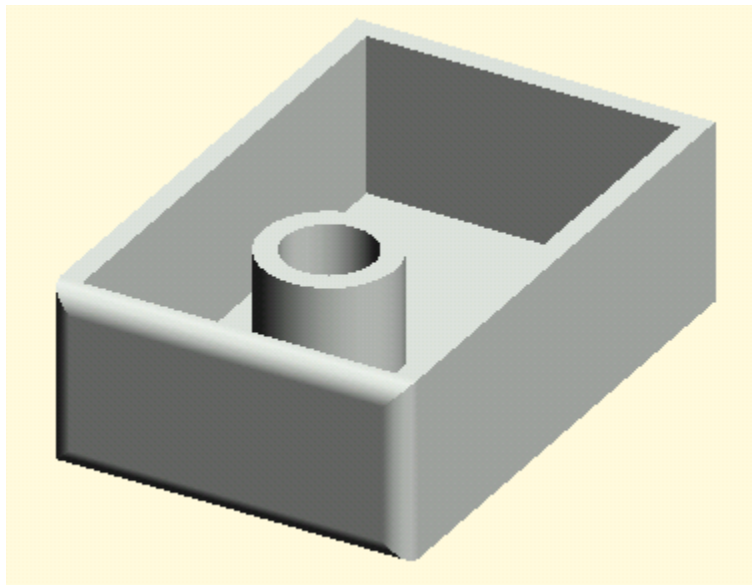
For contents, an index, and keyword searches, press this button.

```
{button Help Topics,FD() }
```

Context-Sensitive Help

See [Using Context-Sensitive Help](#) for how to get context-sensitive help on commands, messages, and dialog windows.

All screen shots should be 375x290 pixels in size, or smaller with a white background.

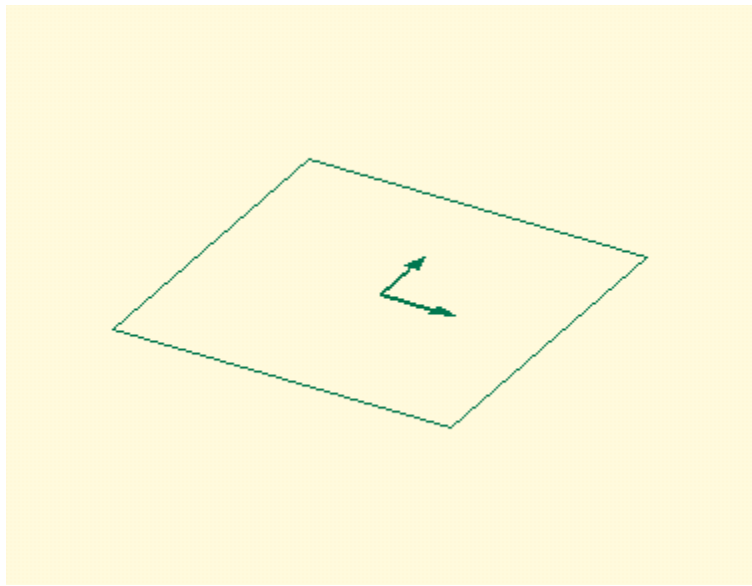


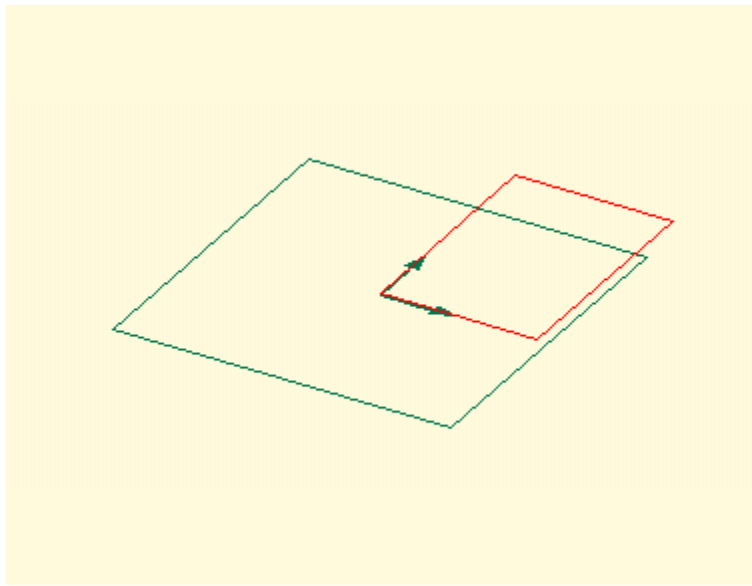
Placement	Number	Leader
Directories	Units	Dimension Datum

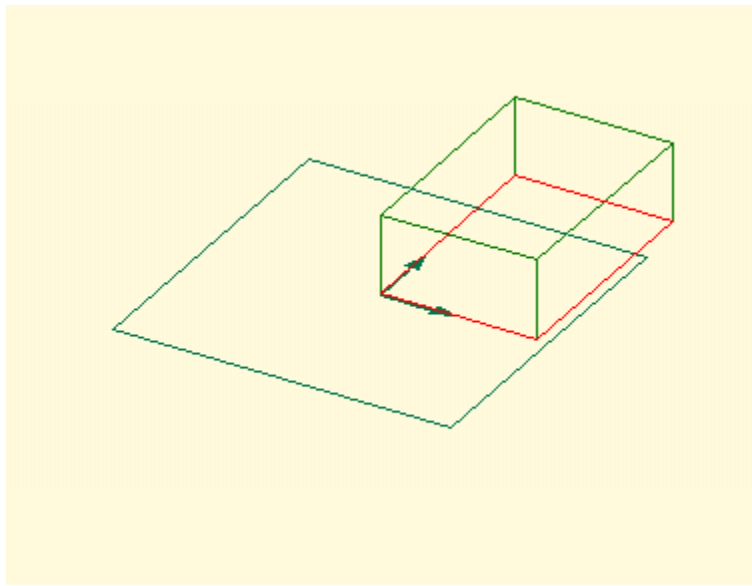
Model distances:
 For all distances in parts and assemblies

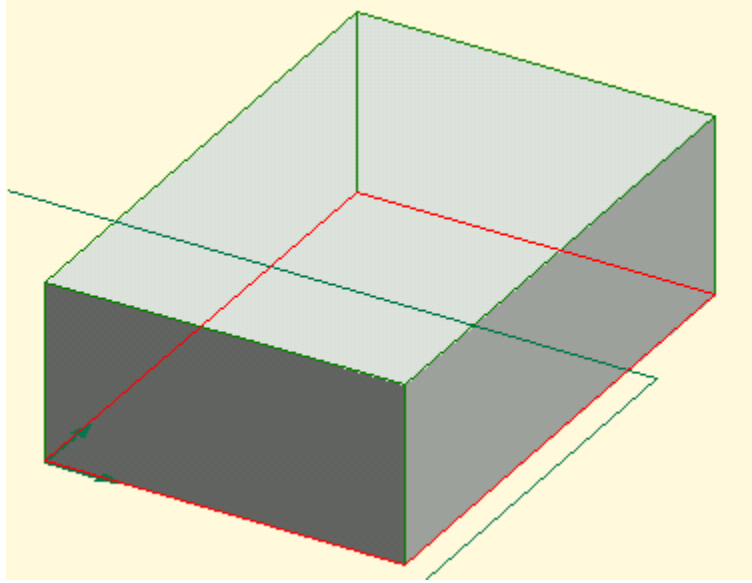
Paper distances:
 For distances in the drawing sheet

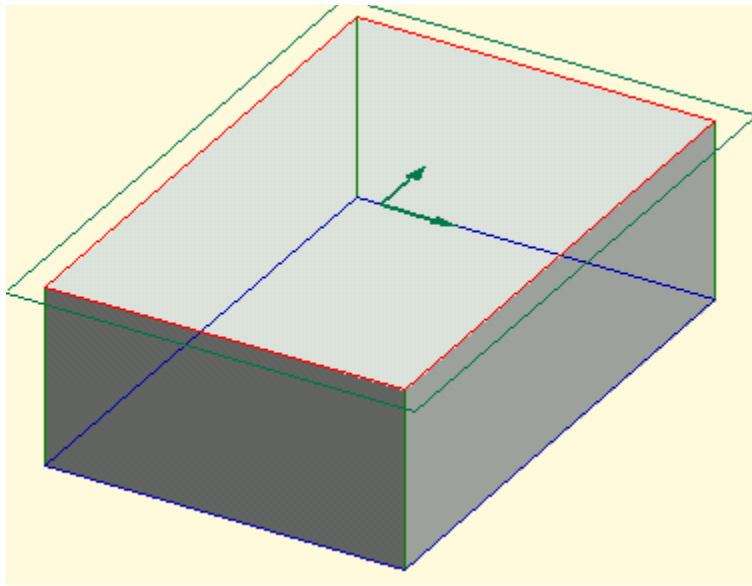
Units for dimensions and other callouts in the drawing are set in the Number page

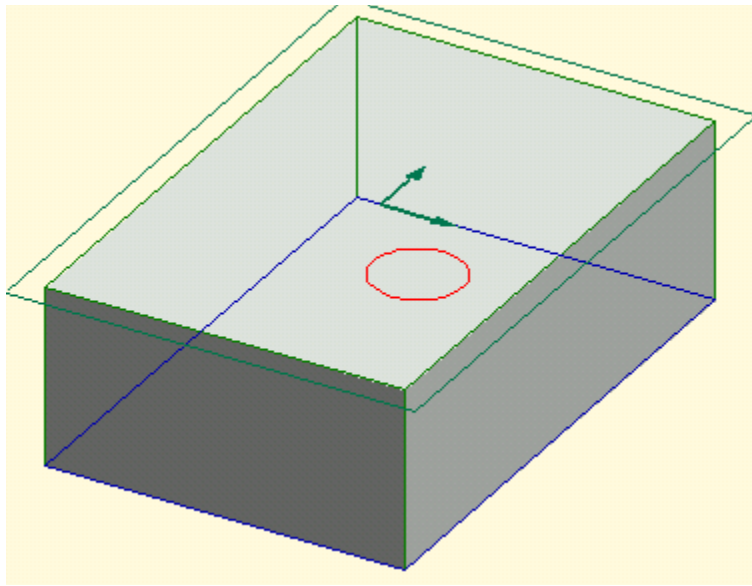


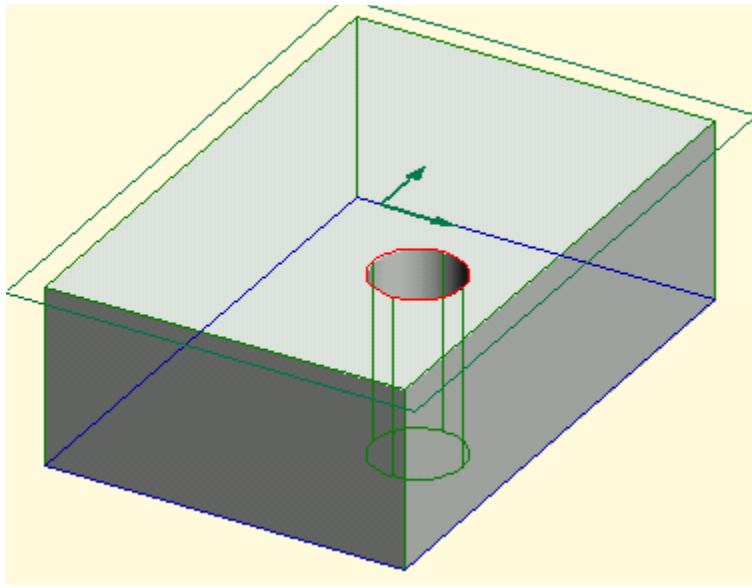


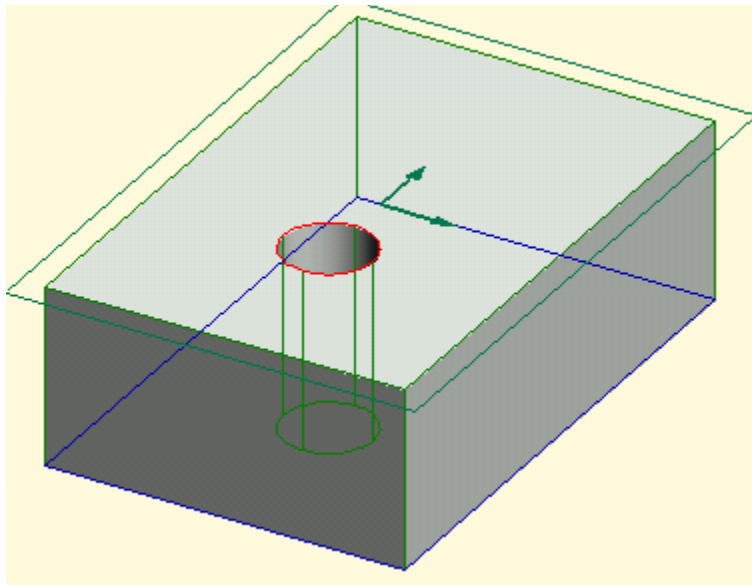


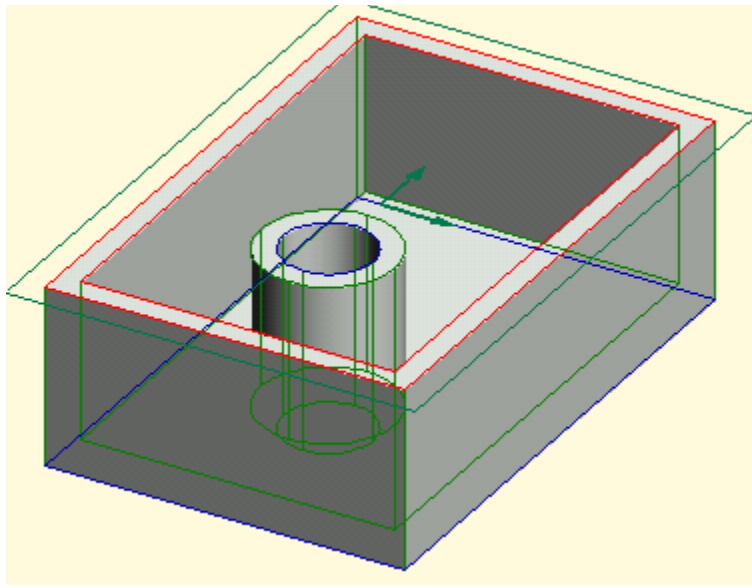


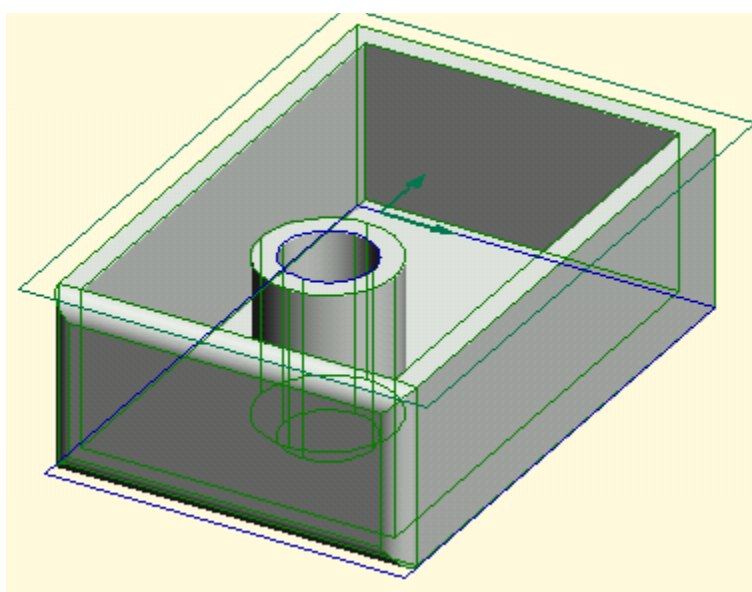


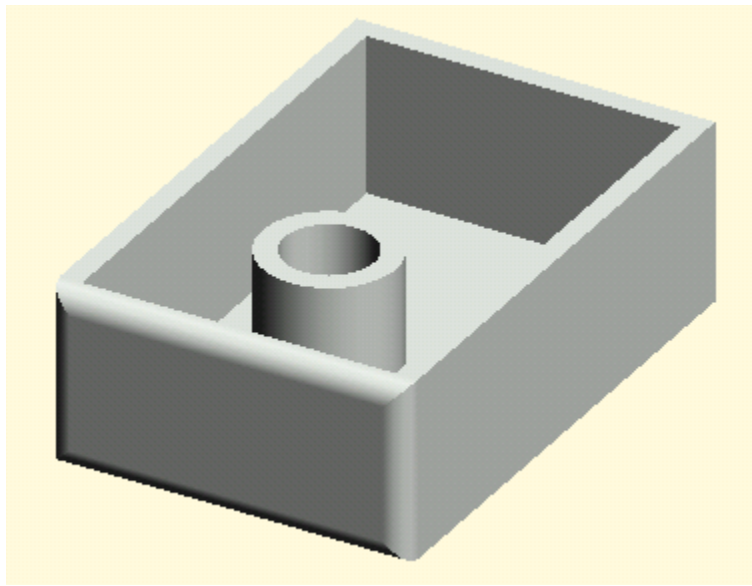


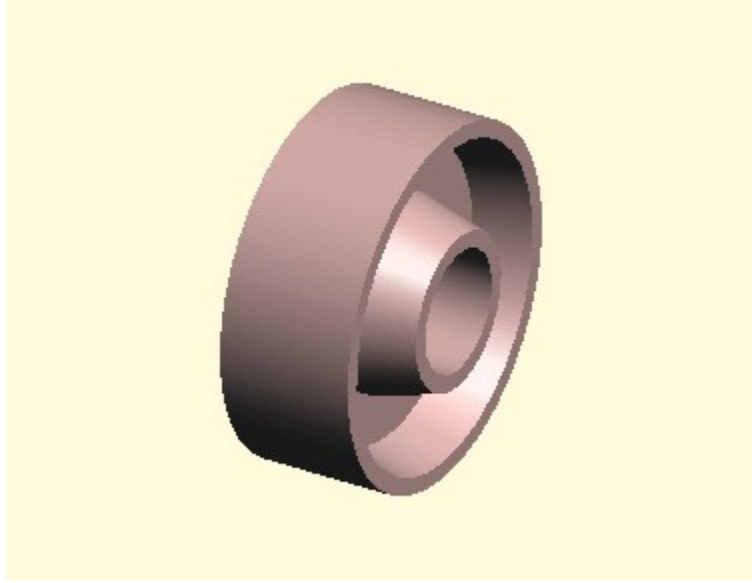










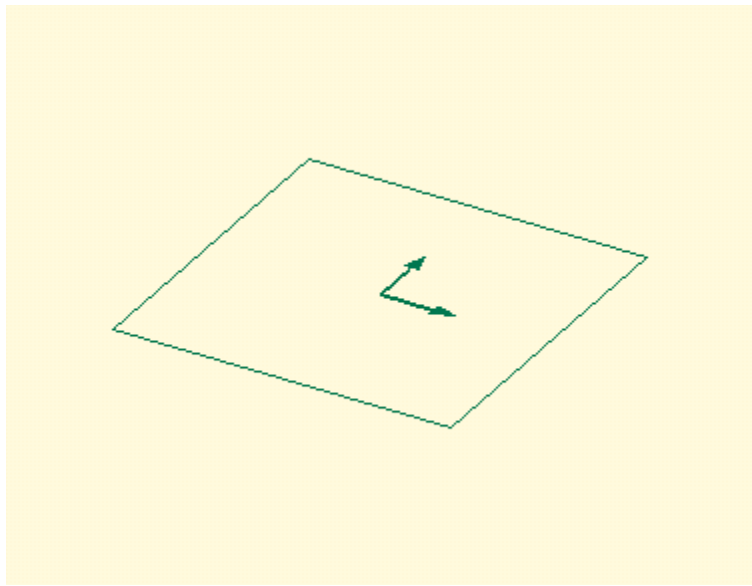


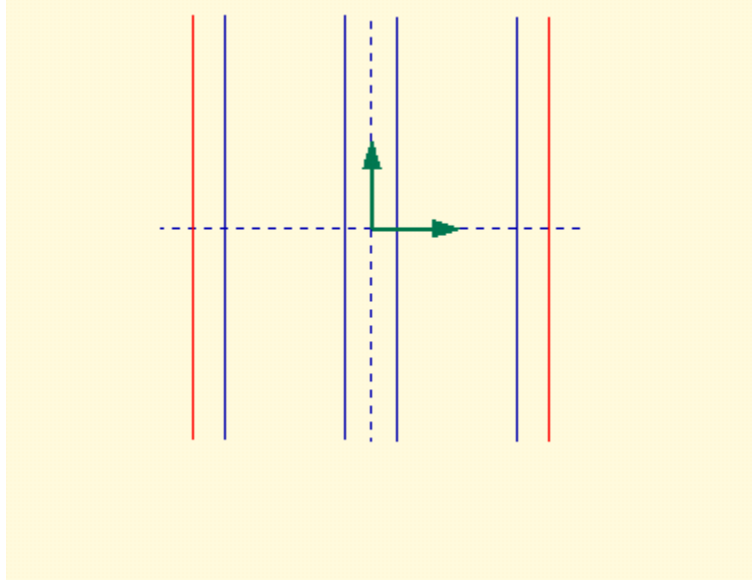
Placement	Number	Leader
Directories	Units	Dimension Datum

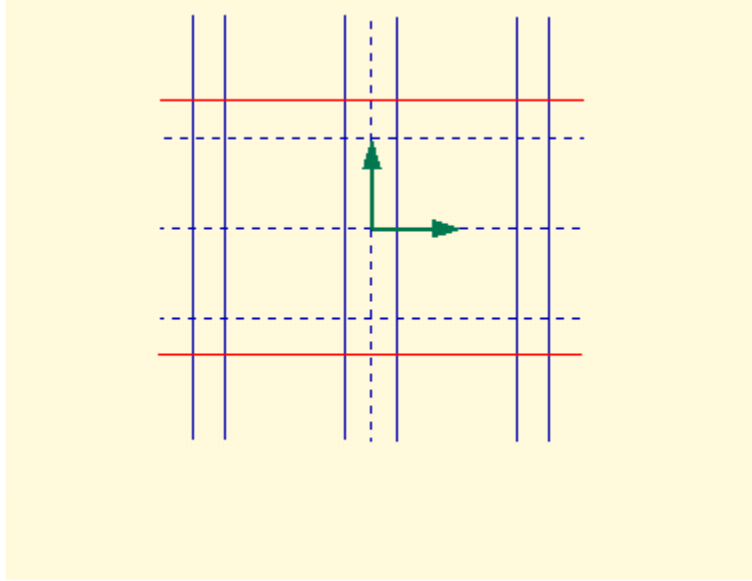
Model distances:
 For all distances in parts and assemblies

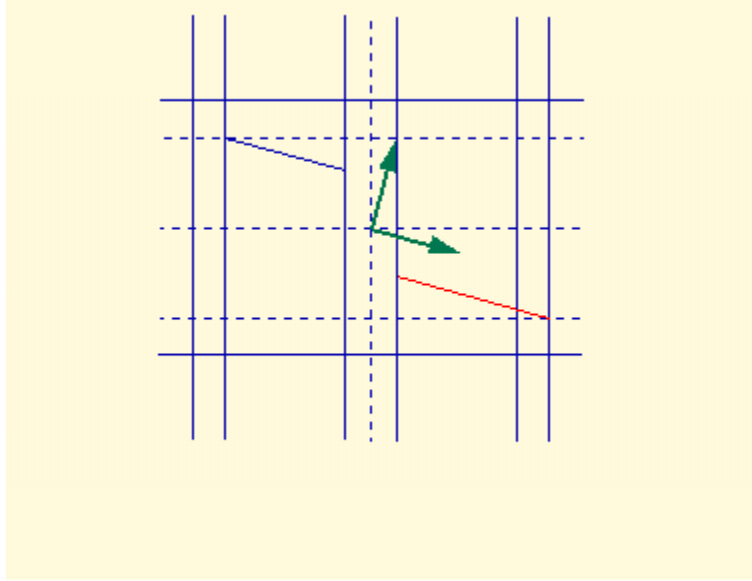
Paper distances:
 For distances in the drawing sheet

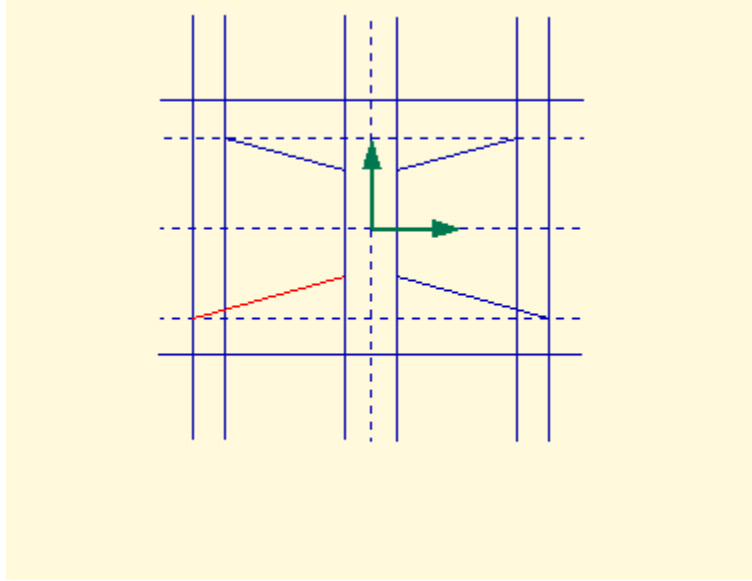
Units for dimensions and other callouts in the drawing are set in the Number page

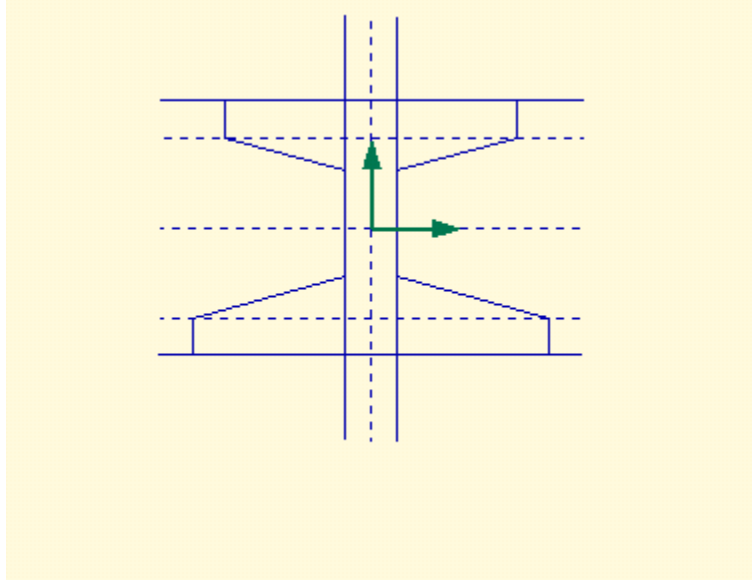


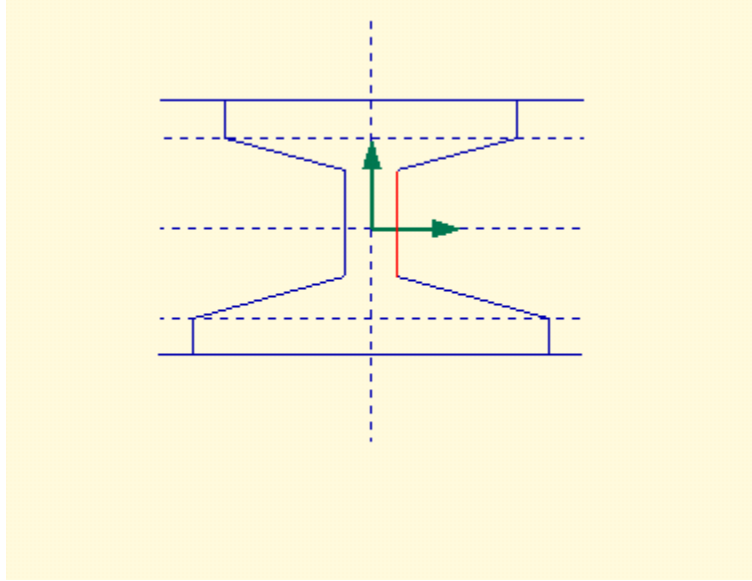


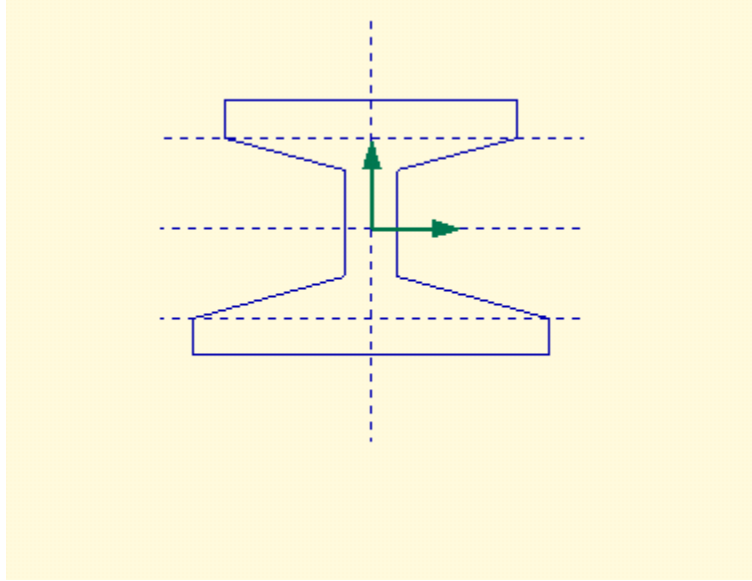




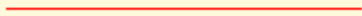
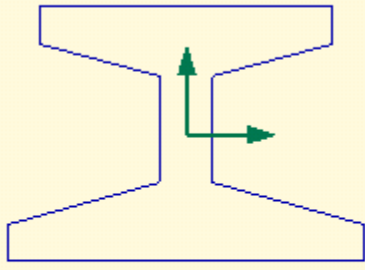


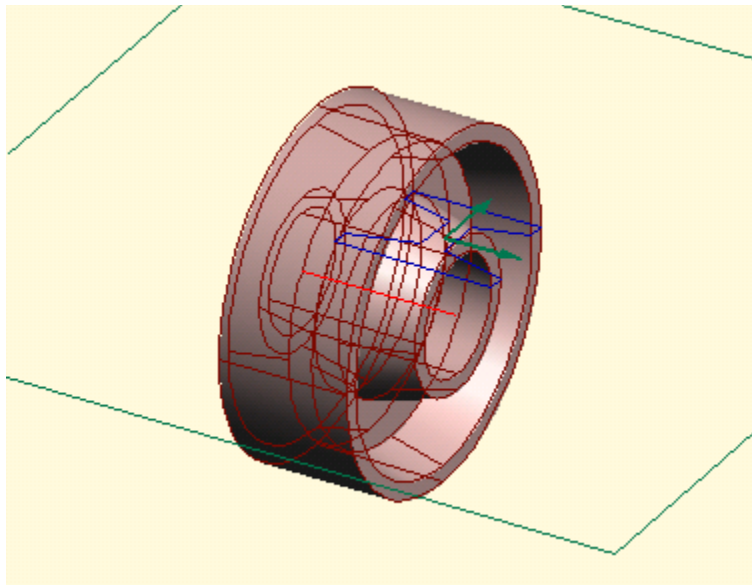


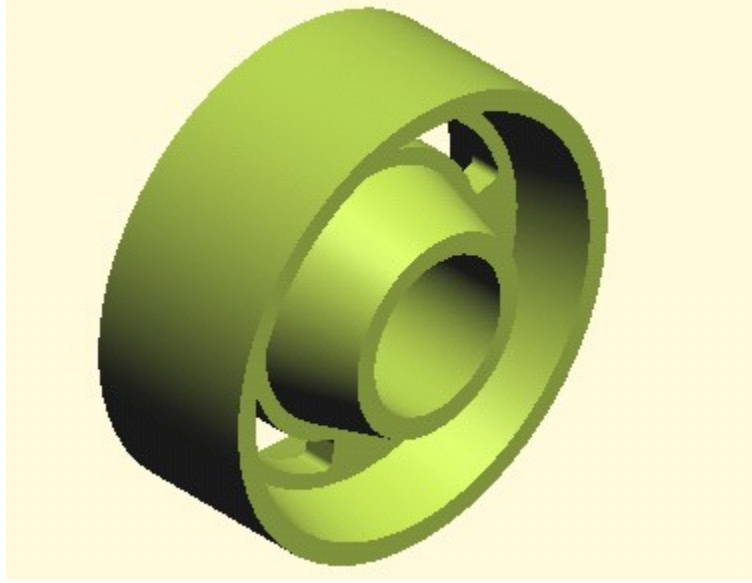


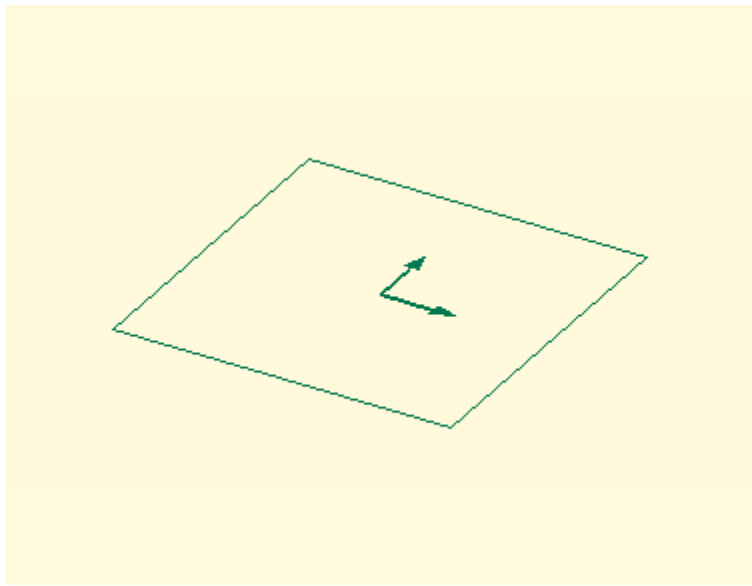


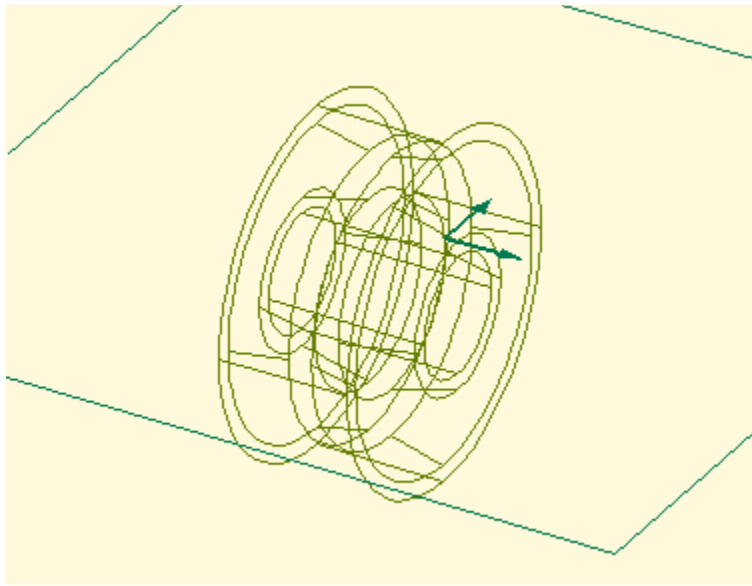


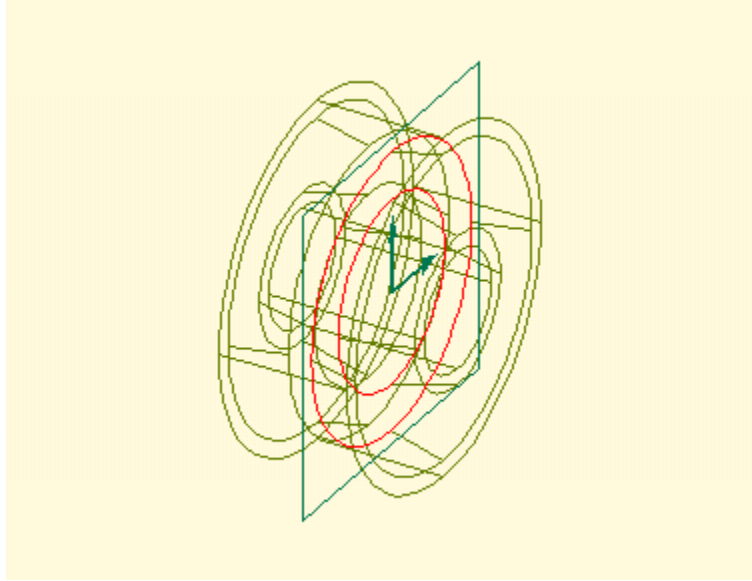


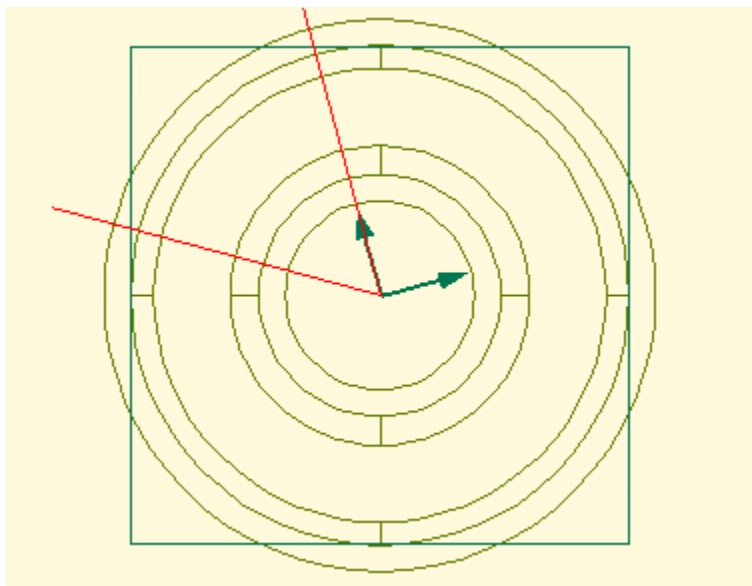


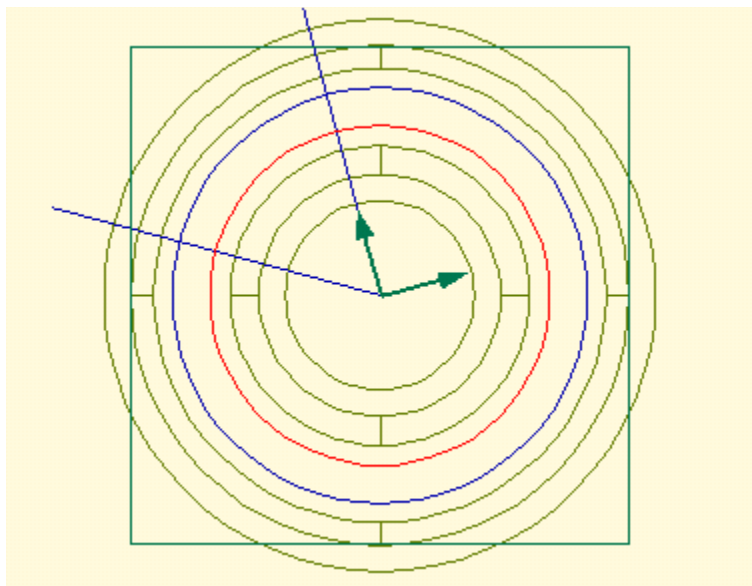


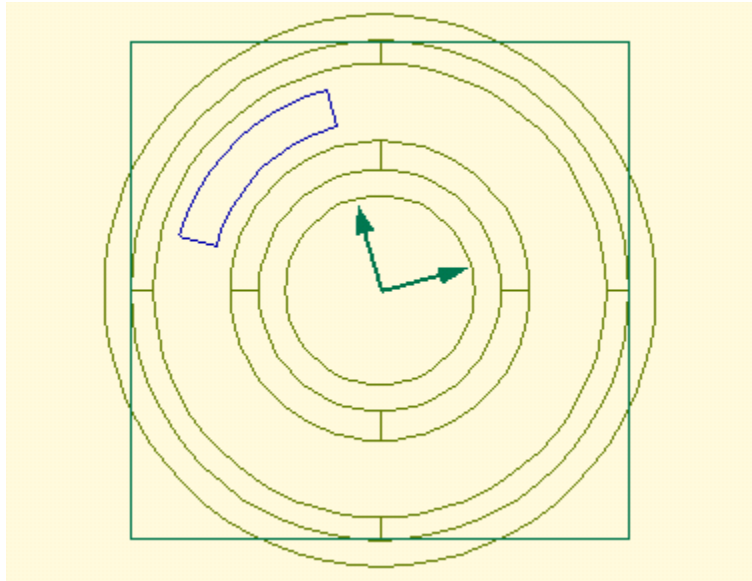


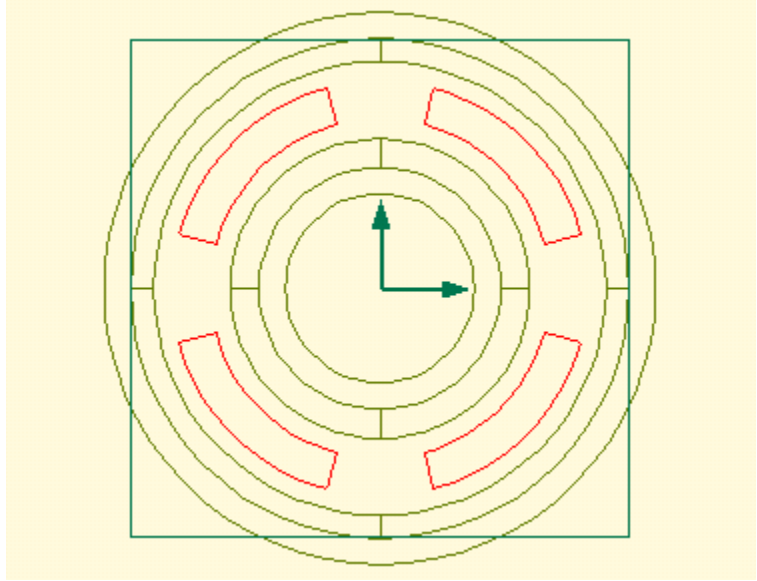


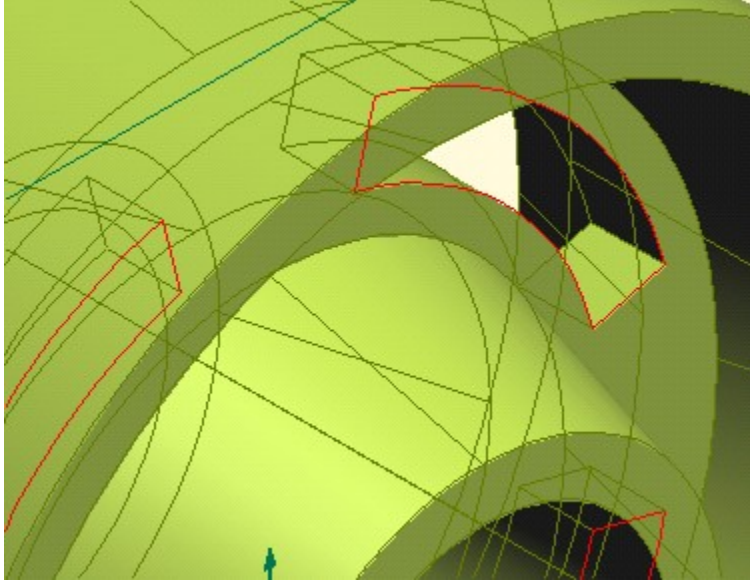


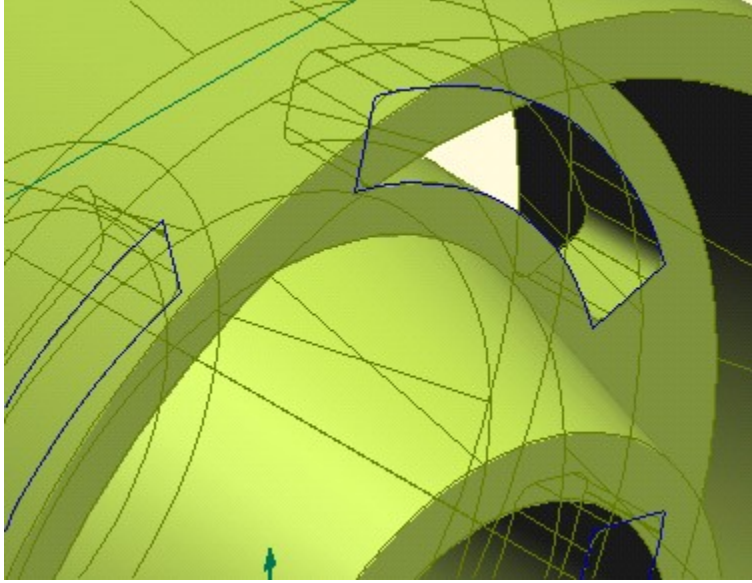




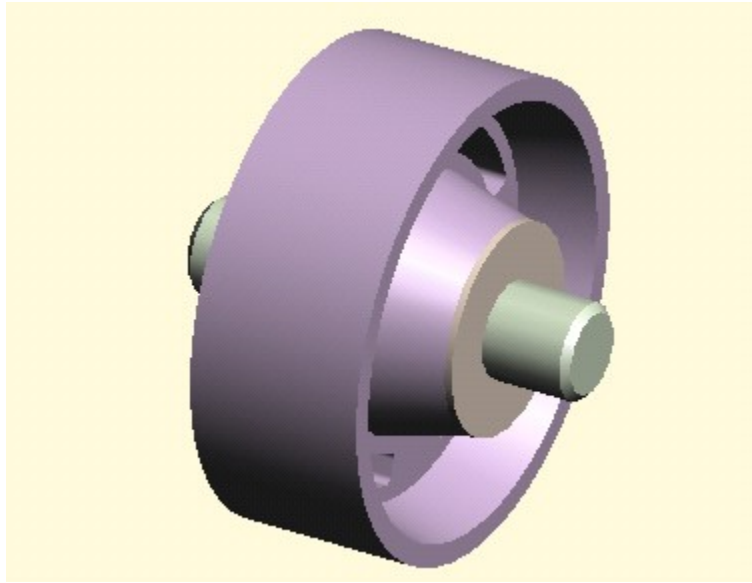


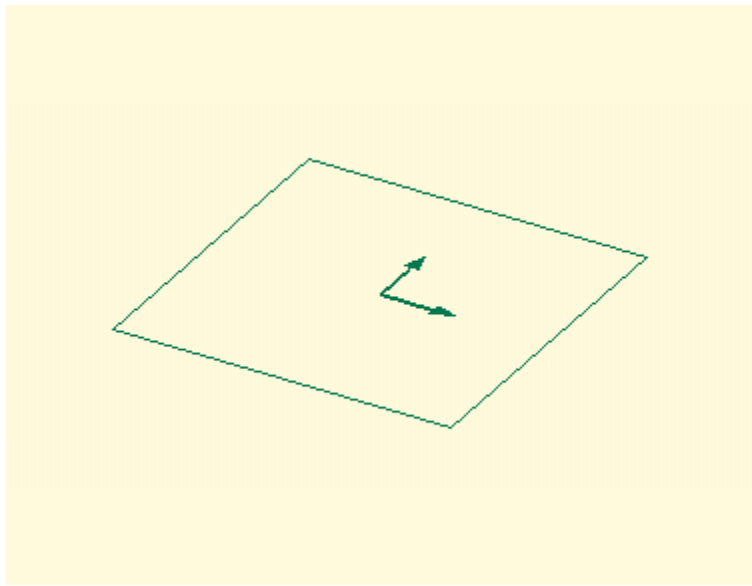


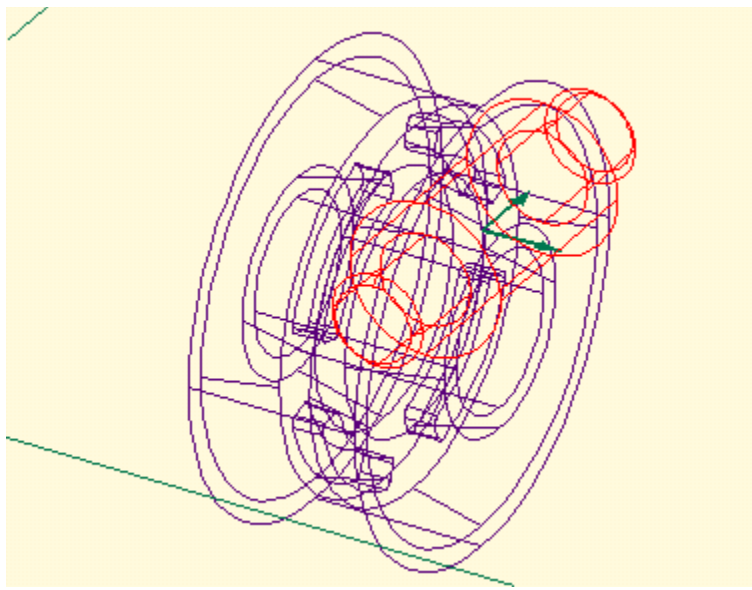


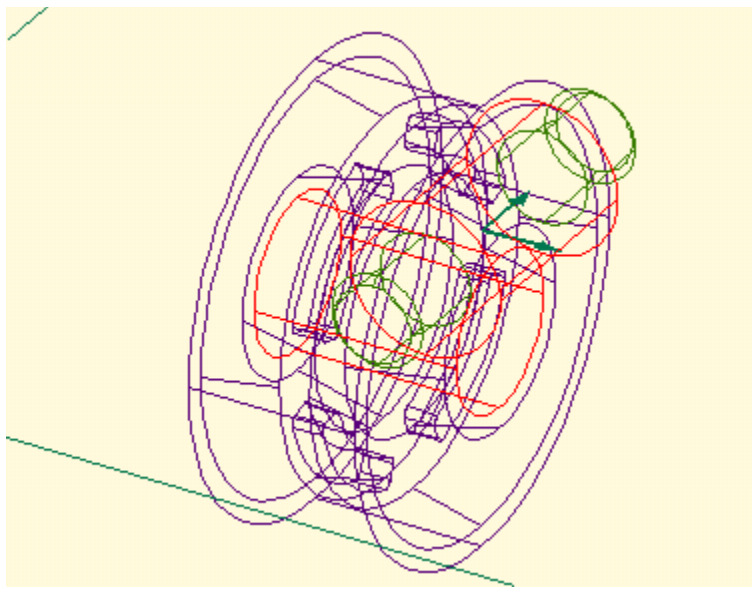


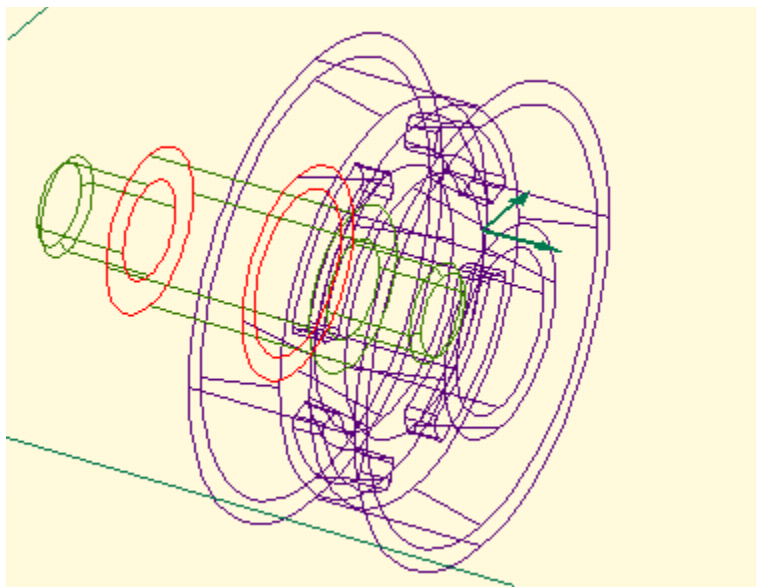


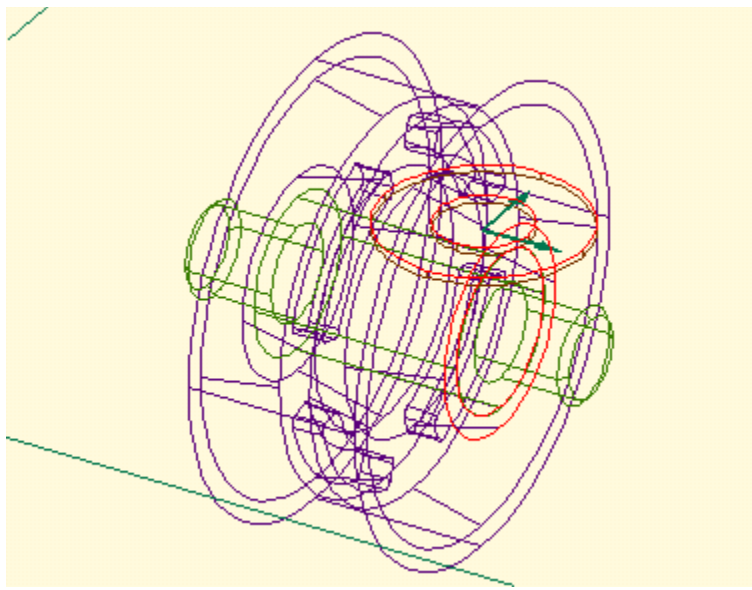


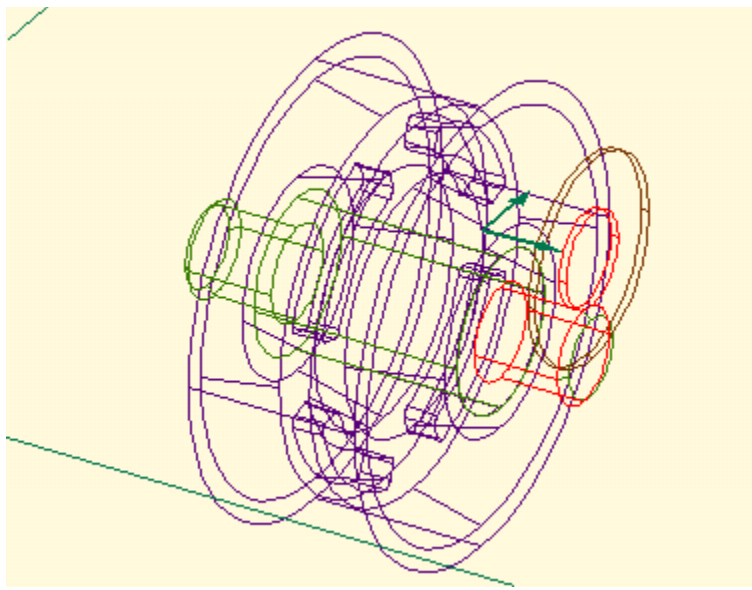


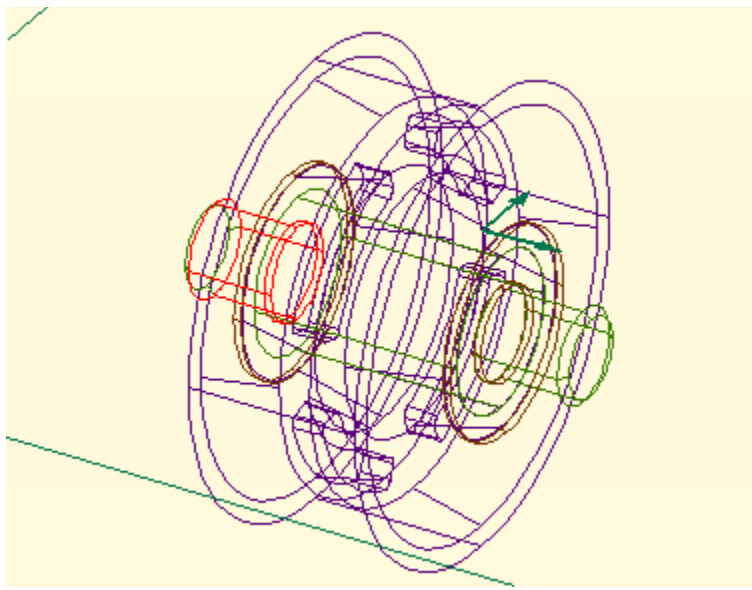


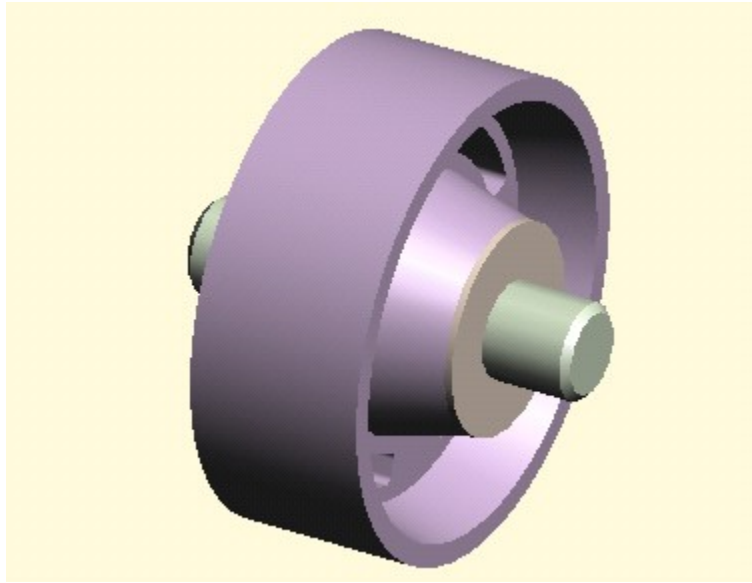


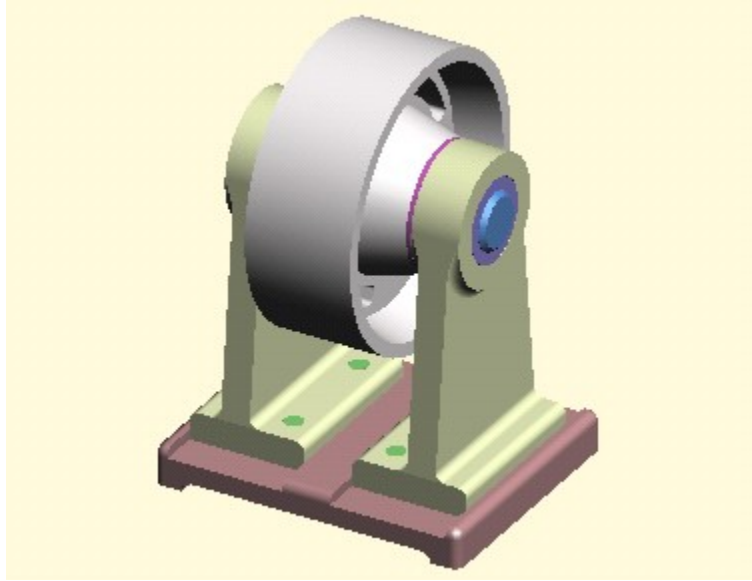


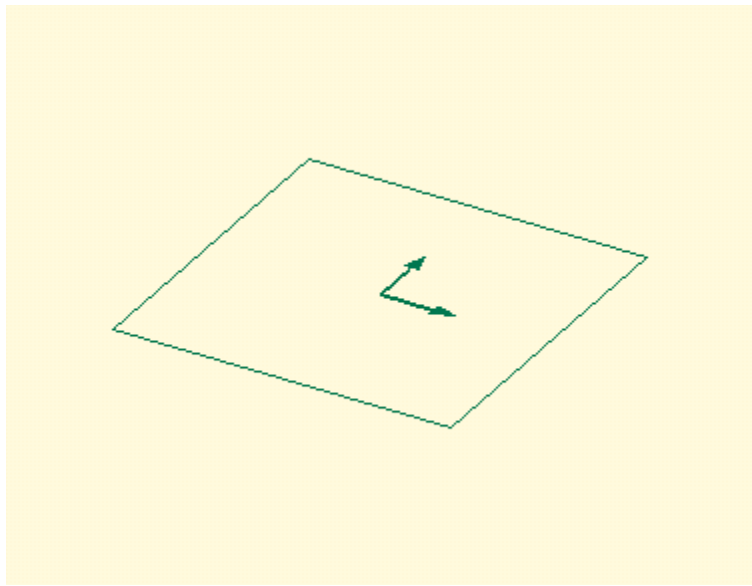


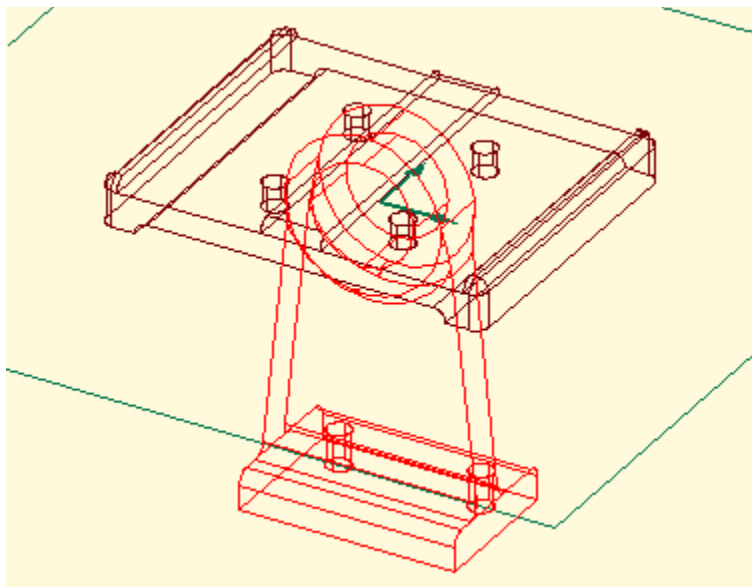


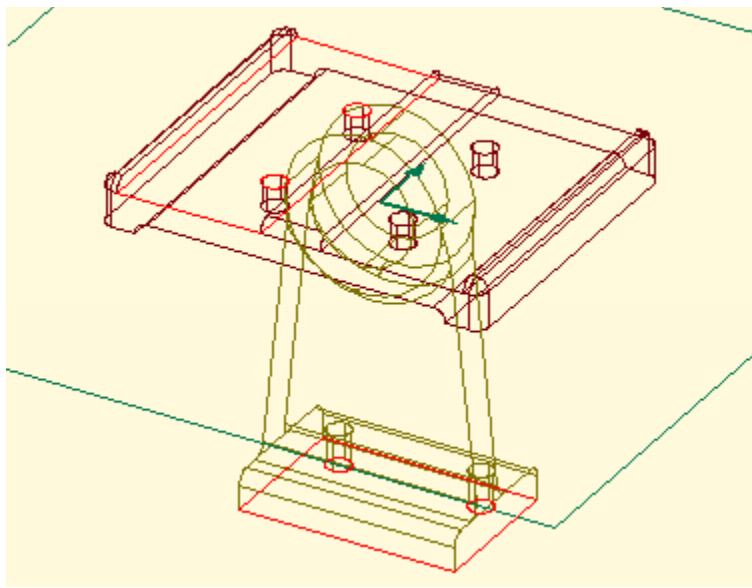


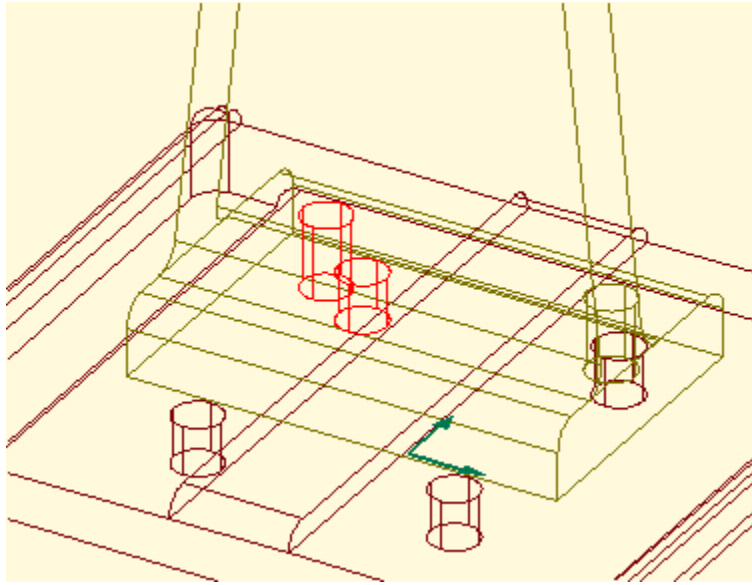


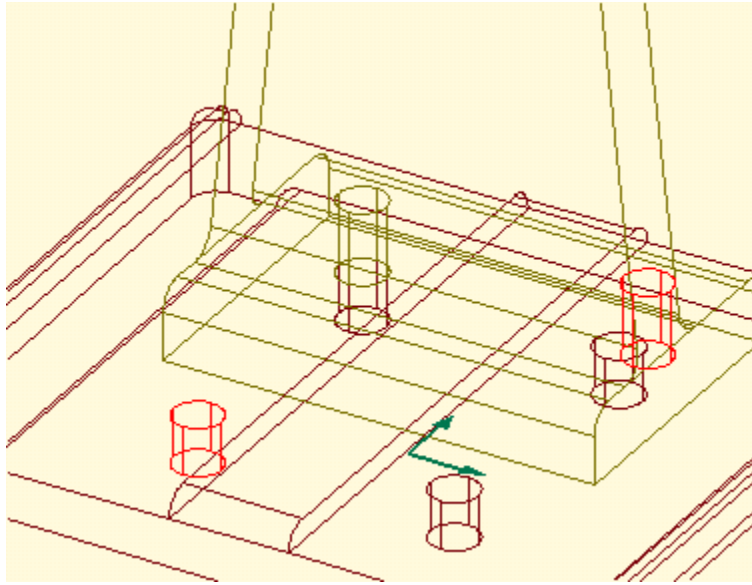


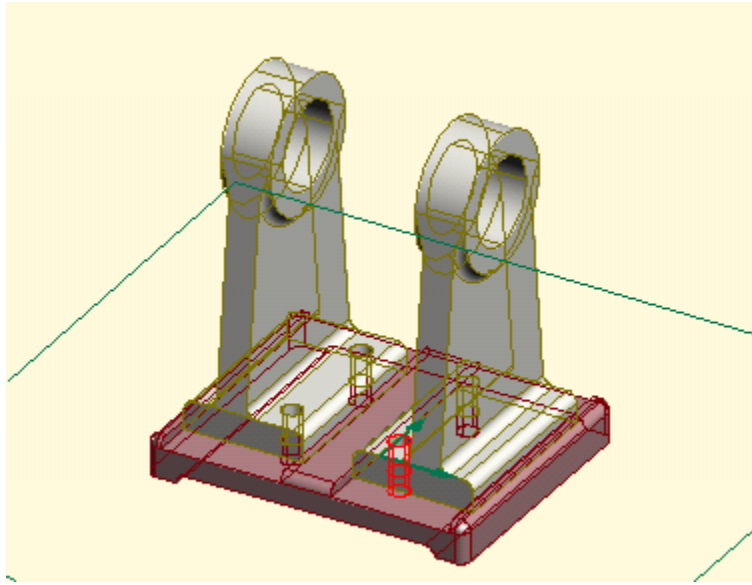


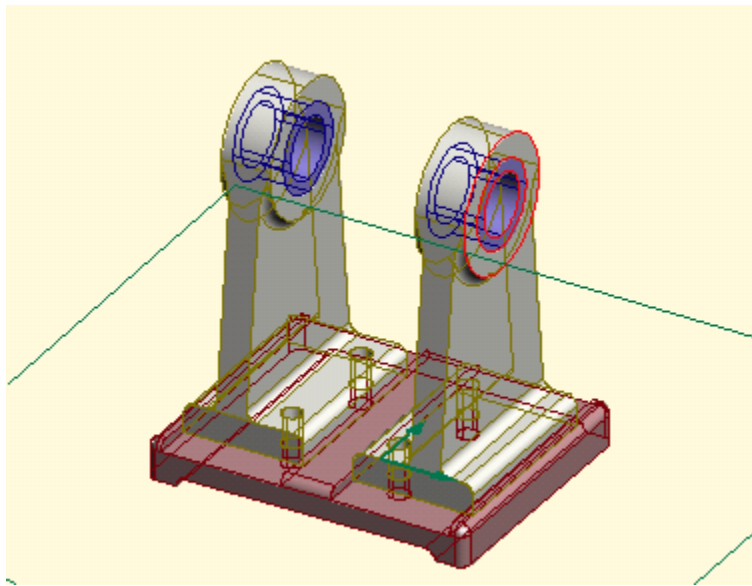


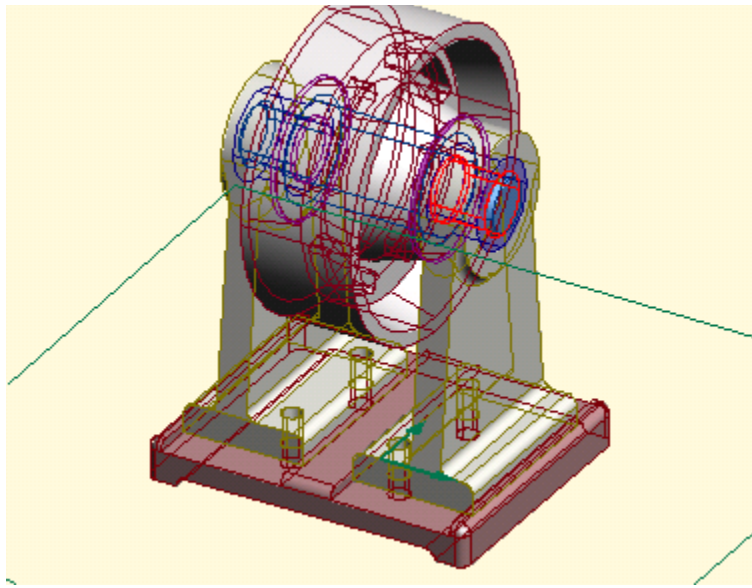


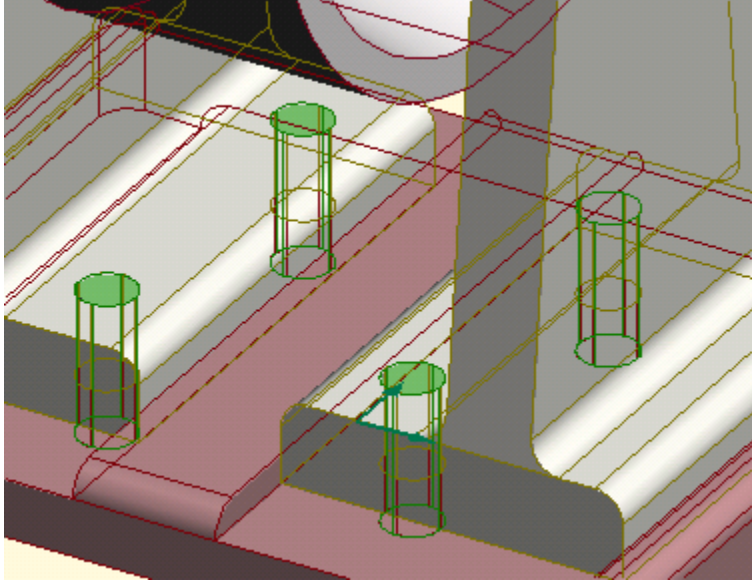


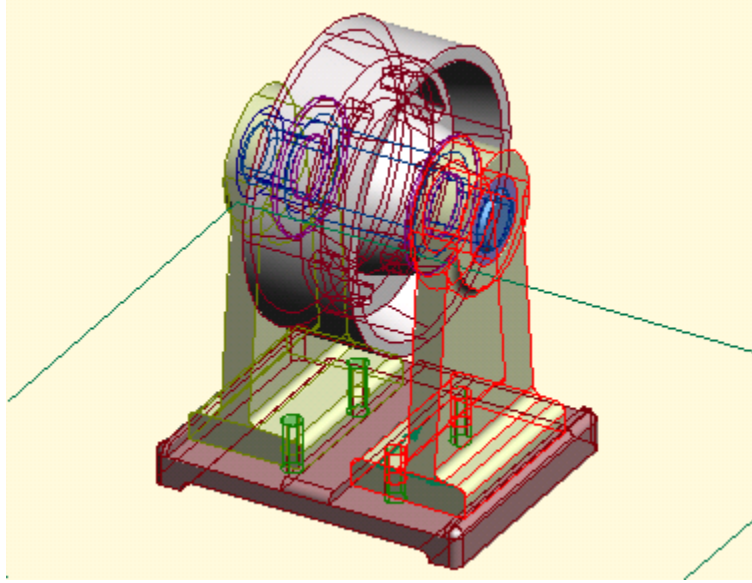


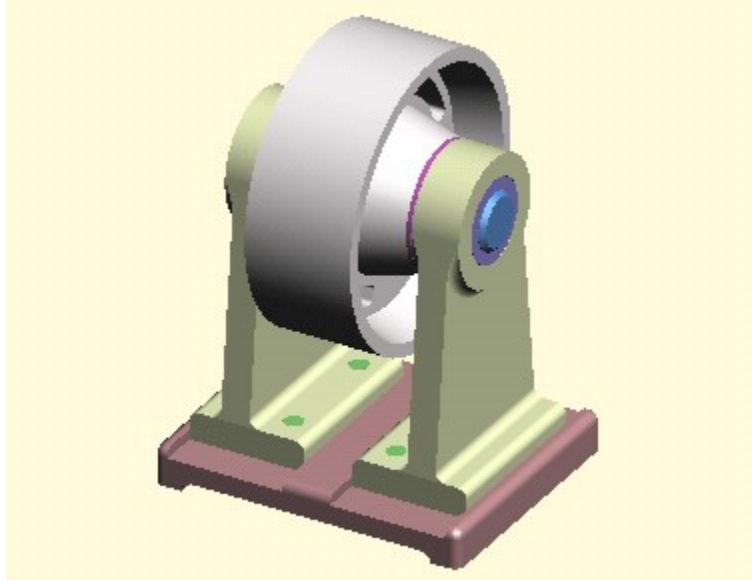


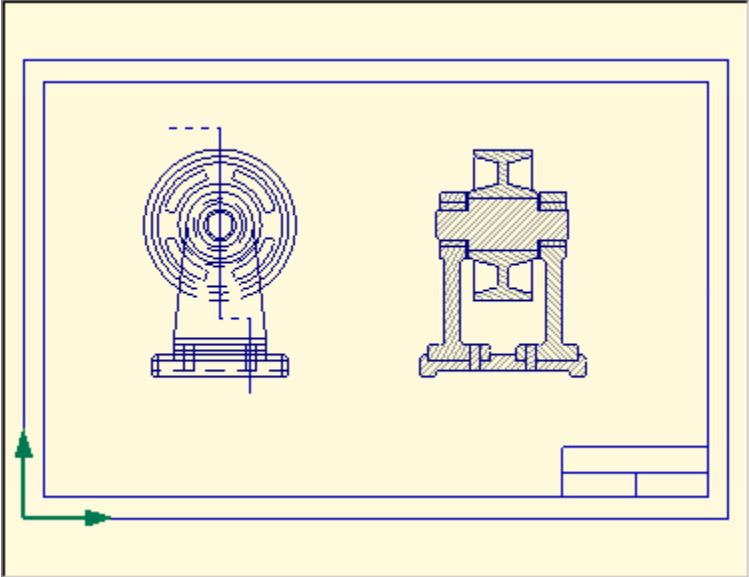














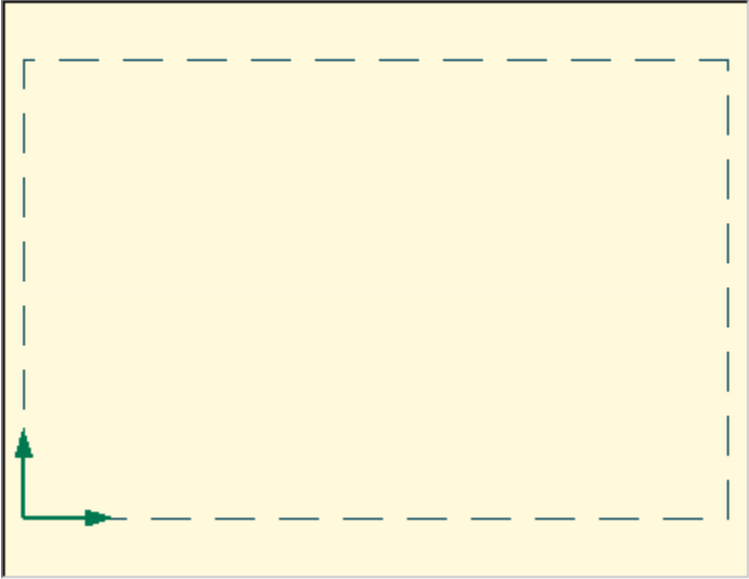
Directories	Units	Dimension	Datum
Placement	Number	Leader	

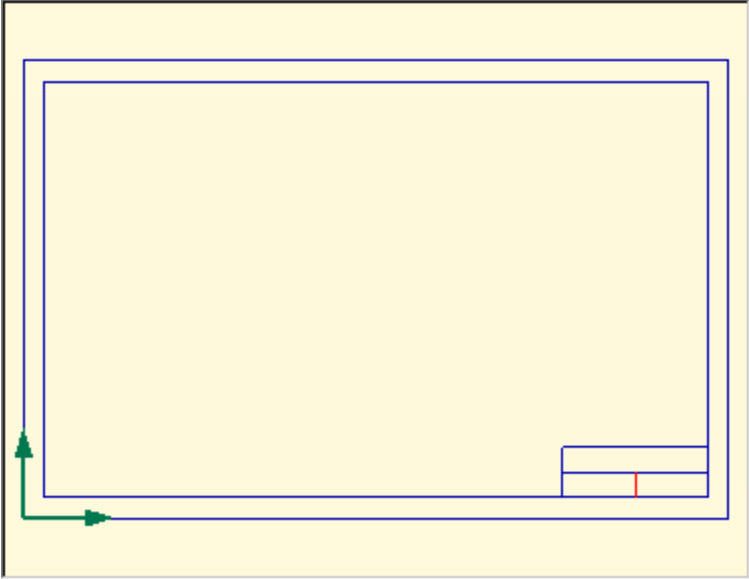
Units: Inches (in) 

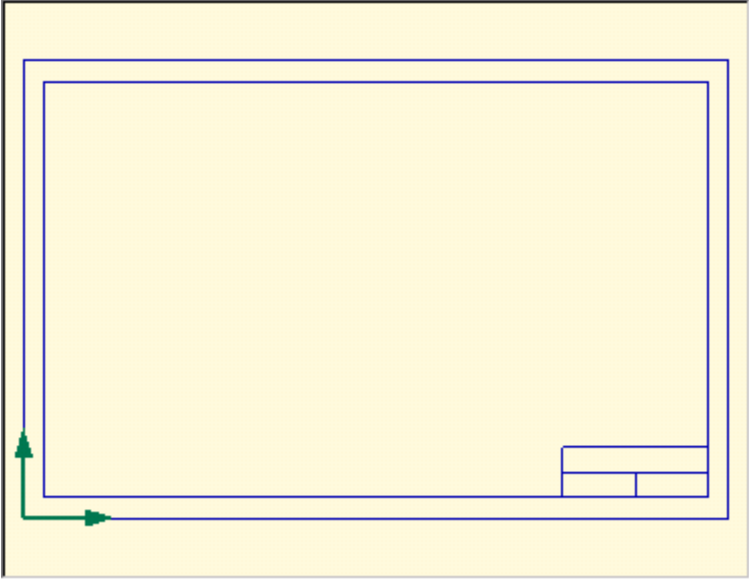
Decimal places:  0 1 2 3 4 5 6

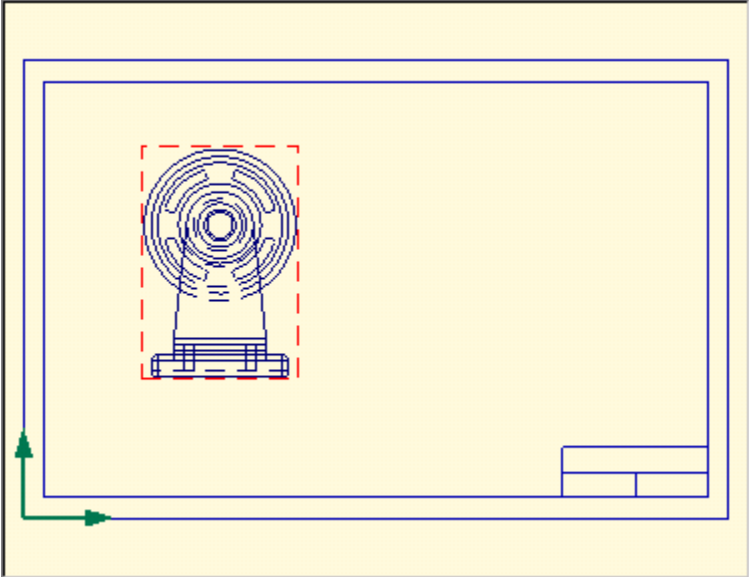
Formatting options

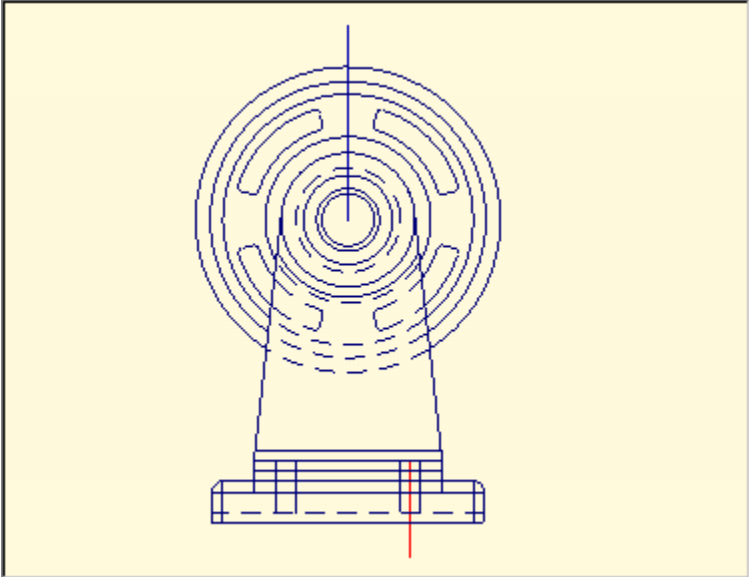
- Suppress leading zeros
- Suppress trailing zeros
- Suppress sign on zero tolerance
- Use comma for decimal separator

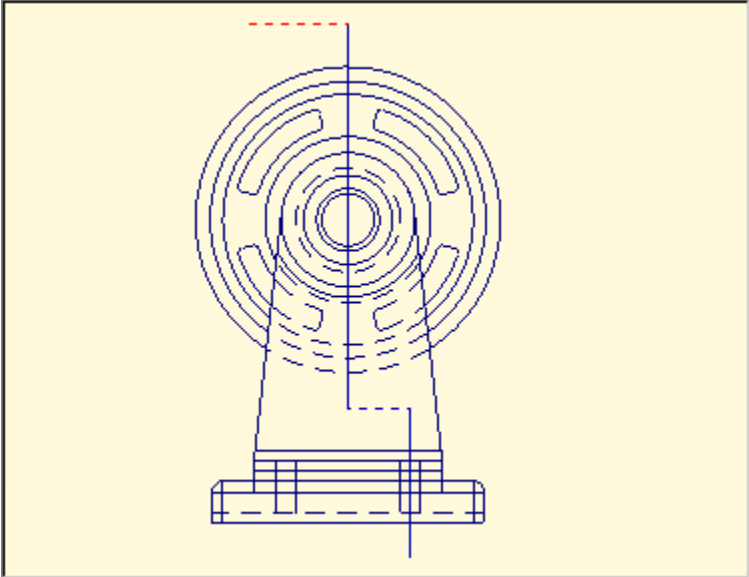


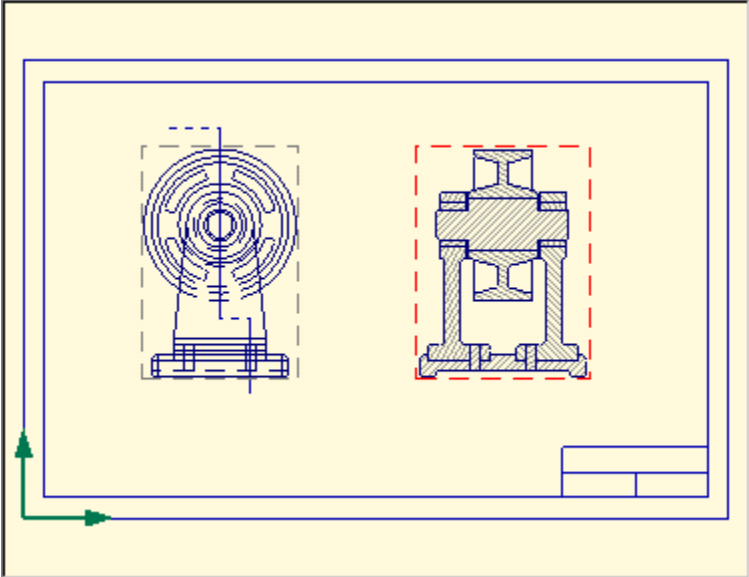


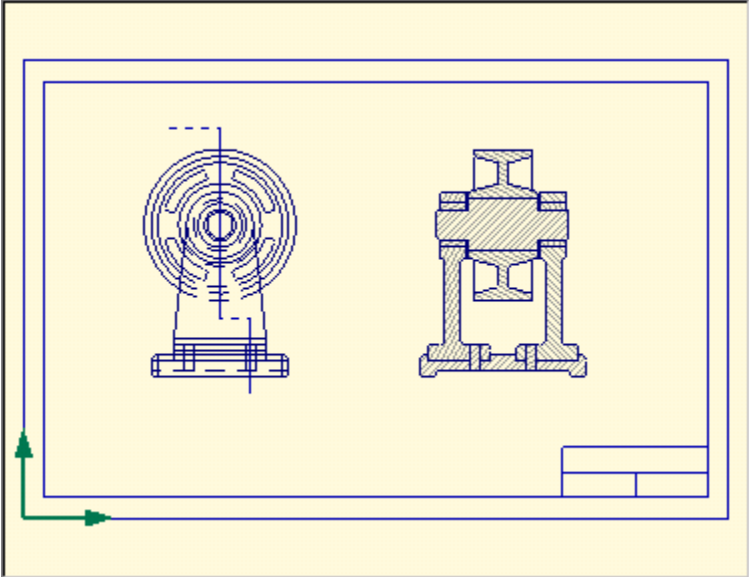


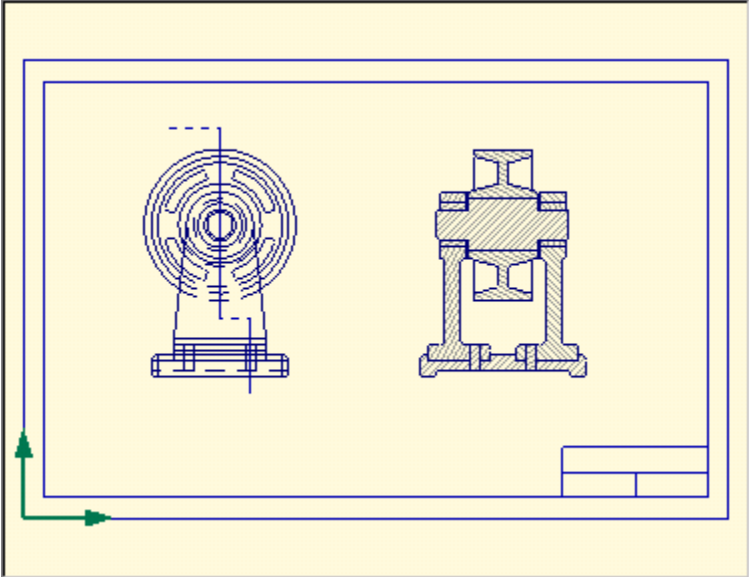


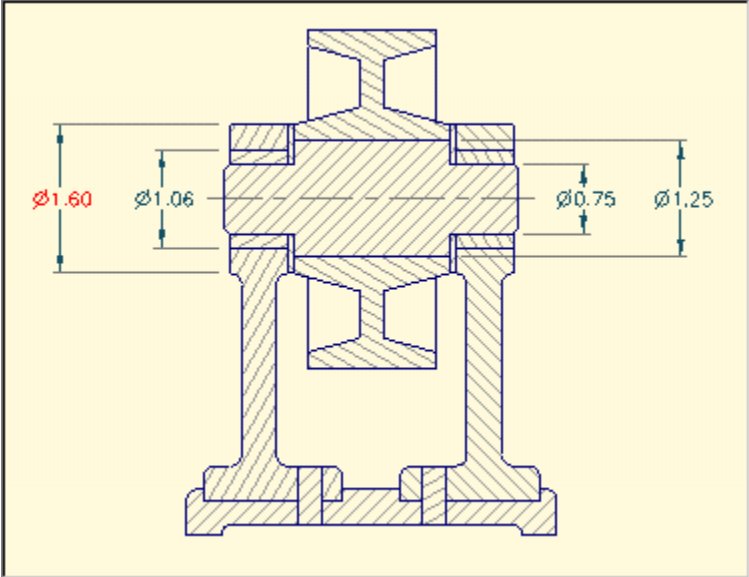


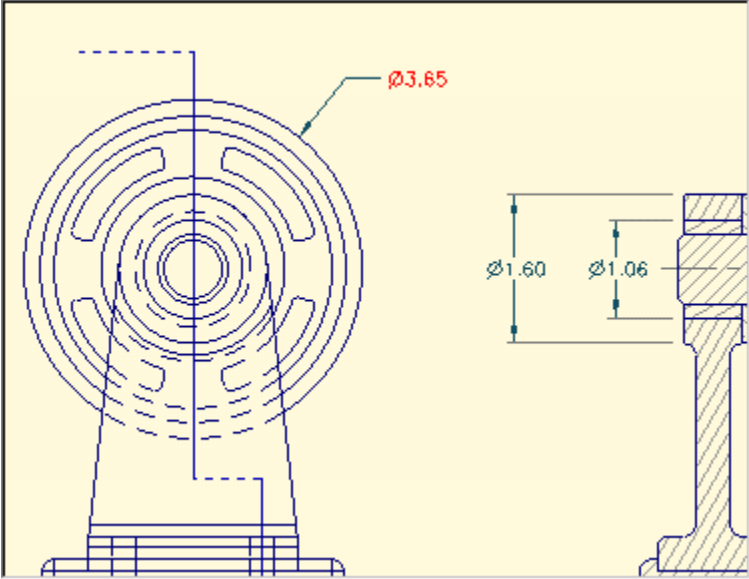


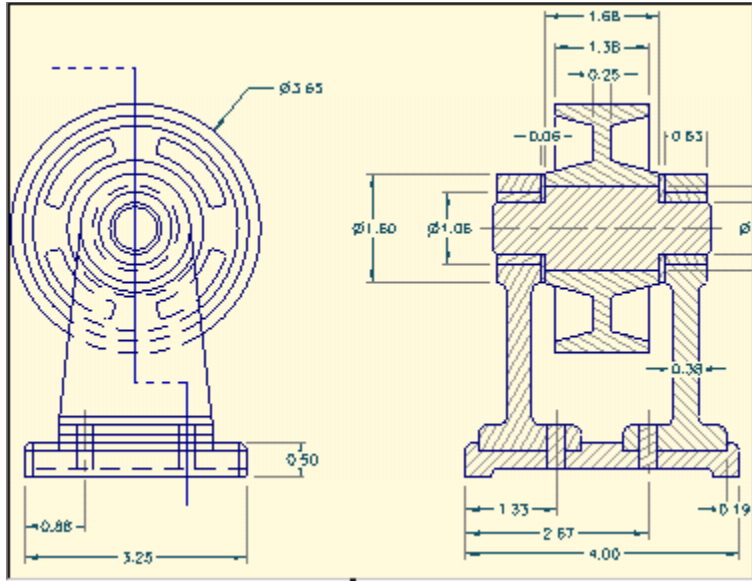


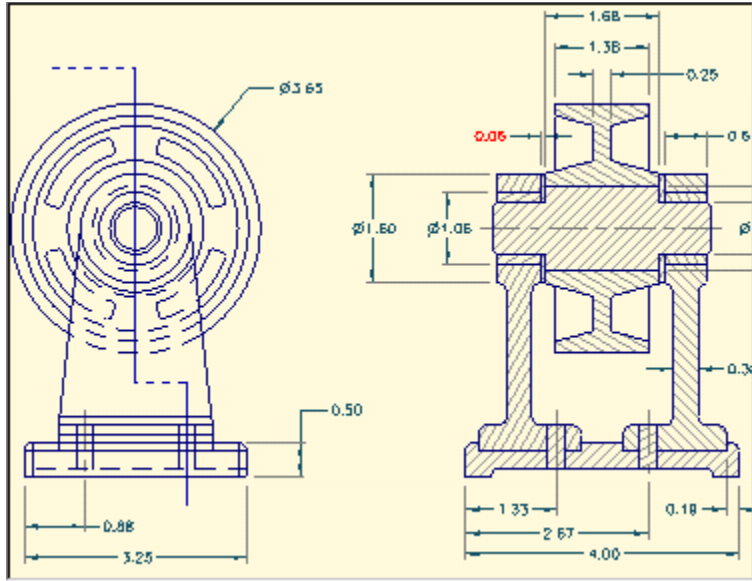


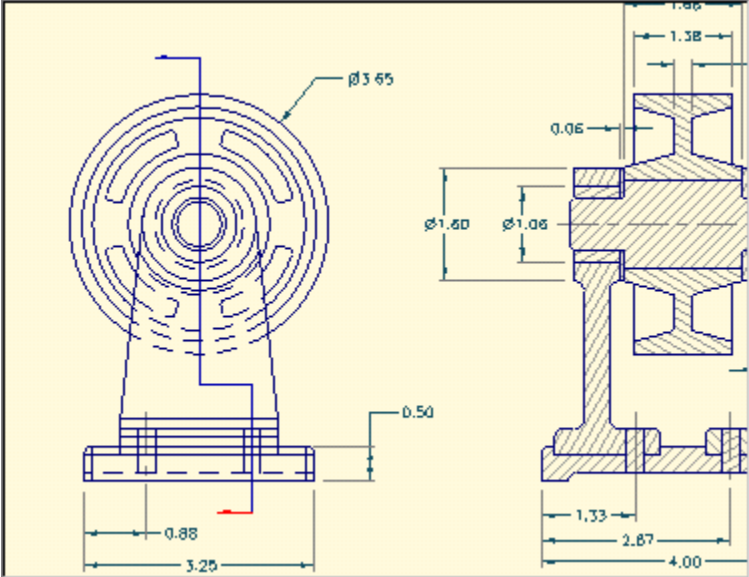


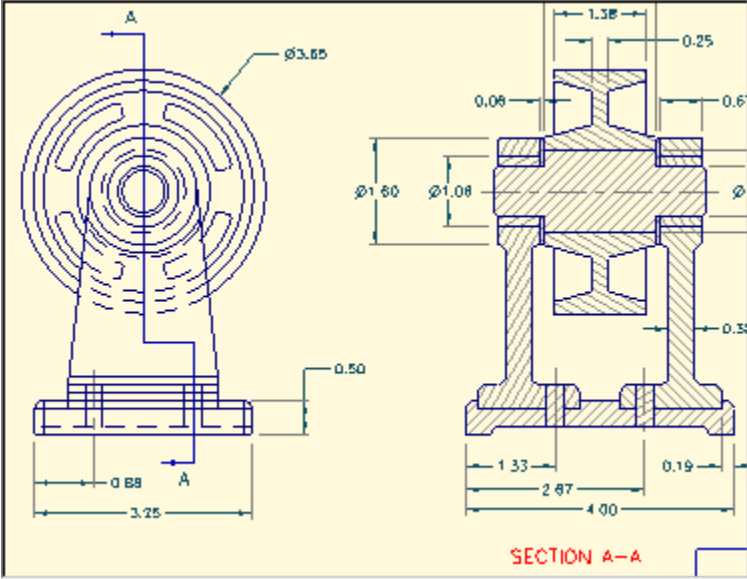


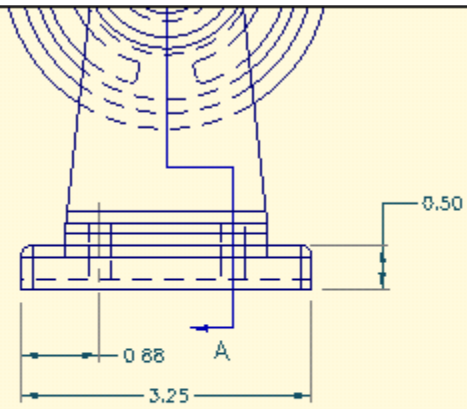












NOTES:

(1) MATERIAL IS NO. 2 CAST ALUMINUM

(2) BREAK ALL SHARP CORNERS AND EDGES

